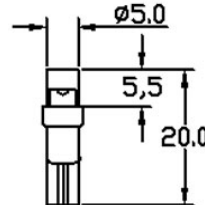
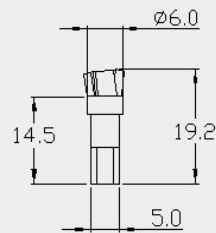


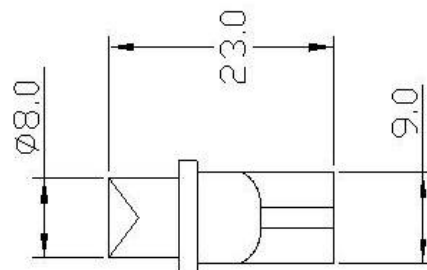
Part No.	Color	LED Electronic parameters					Lamp Base	Power	Dimension	Working Voltage	Remarks
		LED type	LED QTY.	Color	mcd	Angle					
LK-Z00T5-Q01000-120R-AR	R	1W high power LED	1	R	600	120	T15	1W		DC 12V/24V	Flat 5mm LED or Round 5mm LED available
LK-Z00T5-Q01000-120Y-AY	Y		1	Y	600	120	T15	1W		DC 12V/24V	
LK-Z00T5-Q01000-120B-AB	B		1	B	400	120	T15	1W		DC 12V/24V	
LK-Z00T5-Q01000-120G-AG	G		1	G	2000	120	T15	1W		DC 12V/24V	
LK-Z00T5-Q01000-120W-AW	W		1	W	1500	120	T15	1W		DC 12V/24V	
LK-Z00T5-Q01000-12WW-AW	WW		1	WW	1500	120	T15	1W		DC 12V/24V	
LK-Z00T5-Q01000-12CW-AW	CW		1	CW	1500	120	T15	1W		DC 12V/24V	
LK-Z00T5-Q01000-120P-AP	P		1	P	1000	120	T15	1W		DC 12V/24V	
LK-Z00T5-Q01000-120V-AV	V		1	V	400	120	T15	1W		DC 12V/24V	



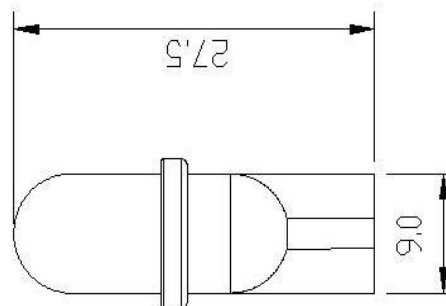
Part No.	Color	LED Electronic parameters					Lamp Base	Power	Dimension	Working Voltage	Remarks
		LED type	LED QTY.	Color	mcd	Angle					
LK-Z00T5-X03000-120R-AR	R	2*3*4mm	3	R	600	120	T5	0.24W		DC 12V/24V	
LK-Z00T5-X03000-120Y-AY	Y		3	Y	600	120		0.24W		DC 12V/24V	
LK-Z00T5-X03000-120B-AB	B		3	B	400	120		0.24W		DC 12V/24V	
LK-Z00T5-X03000-120G-AG	G		3	G	2000	120		0.24W		DC 12V/24V	
LK-Z00T5-X03000-120W-AW	W		3	W	1500	120		0.24W		DC 12V/24V	
LK-Z00T5-X03000-12WW-AW	WW		3	WW	1500	120		0.24W		DC 12V/24V	
LK-Z00T5-X03000-12CW-AW	CW		3	CW	1500	120		0.24W		DC 12V/24V	
LK-Z00T5-X03000-120P-AP	P		3	P	1000	120		0.24W		DC 12V/24V	
LK-Z00T5-X03000-120V-AV	V		3	V	400	120		0.24W		DC 12V/24V	



Part No.	Color	LED Electronic parameters					Lamp Base	Power	Dimension	Working Voltage	Remarks
		LED type	LED QTY.	Color	mcd	Angle					
LK-Z00T8-Z01000-120R-AR	R	8mm flat	1	R	600	120	T8	0.24W		DC 12V/24V	Flat/Concave/Round 8mm LED available T10/BA9S lamp base available
LK-Z00T8-Z01000-120Y-AY	Y		1	Y	600	120		0.24W		DC 12V/24V	
LK-Z00T8-Z01000-120B-AB	B		1	B	400	120		0.24W		DC 12V/24V	
LK-Z00T8-Z01000-120G-AG	G		1	G	2000	120		0.24W		DC 12V/24V	
LK-Z00T8-Z01000-120W-AW	W		1	W	1500	120		0.24W		DC 12V/24V	
LK-Z00T8-Z01000-12WW-AW	WW		1	WW	1500	120		0.24W		DC 12V/24V	
LK-Z00T8-Z01000-12CW-AW	CW		1	CW	1500	120		0.24W		DC 12V/24V	
LK-Z00T8-Z01000-120P-AP	P		1	P	1000	120		0.24W		DC 12V/24V	
LK-Z00T8-Z01000-120V-AV	V		1	V	400	120		0.24W		DC 12V/24V	



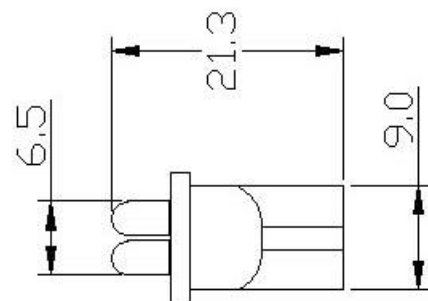
Part No.	Color	LED Electronic parameters					Lamp Base	Power	Dimension	Working Voltage	Remarks
		LED type	LED QTY.	Color	mcd	Angle					
LK-Z0T10-N01000-120R-AR	R	10mm round	1	R	600	120	T10	0.24W		DC 12V/24V	T10/BA9S lamp base available
LK-Z0T10-N01000-120Y-AY	Y		1	Y	600	120		0.24W		DC 12V/24V	
LK-Z0T10-N01000-120B-AB	B		1	B	400	120		0.24W		DC 12V/24V	
LK-Z0T10-N01000-120G-AG	G		1	G	2000	120		0.24W		DC 12V/24V	
LK-Z0T10-N01000-120W-AW	W		1	W	1500	120		0.24W		DC 12V/24V	
LK-Z0T10-N01000-12WW-AW	WW		1	WW	1500	120		0.24W		DC 12V/24V	
LK-Z0T10-N01000-12CW-AW	CW		1	CW	1500	120		0.24W		DC 12V/24V	
LK-Z0T10-N01000-120P-AP	P		1	P	1000	120		0.24W		DC 12V/24V	
LK-Z0T10-N01000-120V-AV	V		1	V	400	120		0.24W		DC 12V/24V	



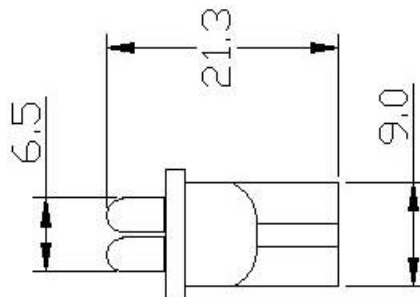
Part No.	Color	LED Electronic parameters					Lamp Base	Power	Dimension	Working Voltage	Remarks
		LED type	LED QTY.	Color	mcd	Angle					
LK-Z0T10-Y01000-120R-AR	R	round piranha	1	R	600	120	T10	0.24W		DC 12V/24V	T10/BA9S lamp base available
LK-Z0T10-Y01000-120Y-AY	Y		1	Y	600	120		0.24W		DC 12V/24V	
LK-Z0T10-Y01000-120B-AB	B		1	B	400	120		0.24W		DC 12V/24V	
LK-Z0T10-Y01000-120G-AG	G		1	G	2000	120		0.24W		DC 12V/24V	
LK-Z0T10-Y01000-120W-AW	W		1	W	1500	120		0.24W		DC 12V/24V	
LK-Z0T10-Y01000-12WW-AW	WW		1	WW	1500	120		0.24W		DC 12V/24V	
LK-Z0T10-Y01000-12CW-AW	CW		1	CW	1500	120		0.24W		DC 12V/24V	
LK-Z0T10-Y01000-120P-AP	P		1	P	1000	120		0.24W		DC 12V/24V	
LK-Z0T10-Y01000-120V-AV	V		1	V	400	120		0.24W		DC 12V/24V	



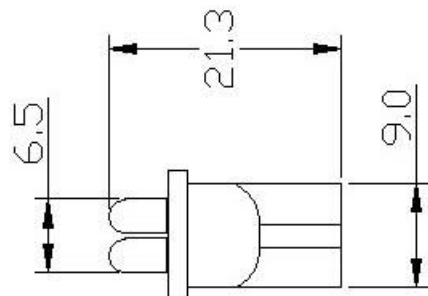
Part No.	Color	LED Electronic parameters					Lamp Base	Power	Dimension	Working Voltage	Remarks
		LED type	LED QTY.	Color	mcd	Angle					
LK-Z0T10-R04000-120R-AR	R	3mm flat led	4	R	600	120	T10	0.48W		DC 12V/24V	T10/BA9S lamp base available
LK-Z0T10-R04000-120Y-AY	Y		4	Y	600	120		0.48W		DC 12V/24V	
LK-Z0T10-R04000-120B-AB	B		4	B	400	120		0.48W		DC 12V/24V	
LK-Z0T10-R04000-120G-AG	G		4	G	2000	120		0.48W		DC 12V/24V	
LK-Z0T10-R04000-120W-AW	W		4	W	1500	120		0.48W		DC 12V/24V	
LK-Z0T10-R04000-12WW-AW	WW		4	WW	1500	120		0.48W		DC 12V/24V	
LK-Z0T10-R04000-12CW-AW	CW		4	CW	1500	120		0.48W		DC 12V/24V	
LK-Z0T10-R04000-120P-AP	P		4	P	1000	120		0.48W		DC 12V/24V	
LK-Z0T10-R04000-120V-AV	V		4	V	400	120		0.48W		DC 12V/24V	



Part No.	Color	LED Electronic parameters					Lamp Base	Power	Dimension	Working Voltage	Remarks
		LED type	LED QTY.	Color	mcd	Angle					
LK-Z0T10-P06000-120R-AR	R	3mm flat led	6	R	600	120	T10	0.48W		DC 12V/24V	T10/BA9S lamp base available
LK-Z0T10-P06000-120Y-AY	Y		6	Y	600	120		0.48W		DC 12V/24V	
LK-Z0T10-P06000-120B-AB	B		6	B	400	120		0.48W		DC 12V/24V	
LK-Z0T10-P06000-120G-AG	G		6	G	2000	120		0.48W		DC 12V/24V	
LK-Z0T10-P06000-120W-AW	W		6	W	1500	120		0.48W		DC 12V/24V	
LK-Z0T10-P06000-12WW-AW	WW		6	WW	1500	120		0.48W		DC 12V/24V	
LK-Z0T10-P06000-12CW-AW	CW		6	CW	1500	120		0.48W		DC 12V/24V	
LK-Z0T10-P06000-120P-AP	P		6	P	1000	120		0.48W		DC 12V/24V	
LK-Z0T10-P06000-120V-AV	V		6	V	400	120		0.48W		DC 12V/24V	



Part No.	Color	LED Electronic parameters					Lamp Base	Power	Dimension	Working Voltage	Remarks
		LED type	LED QTY.	Color	mcd	Angle					
LK-Z0T10-P07000-120R-AR	R	3mm flat led	7	R	600	120	T10	0.75W		DC 12V/24V	T10/BA9S lamp base available
LK-Z0T10-P07000-120Y-AY	Y		7	Y	600	120		0.75W		DC 12V/24V	
LK-Z0T10-P07000-120B-AB	B		7	B	400	120		0.75W		DC 12V/24V	
LK-Z0T10-P07000-120G-AG	G		7	G	2000	120		0.75W		DC 12V/24V	
LK-Z0T10-P07000-120W-AW	W		7	W	1500	120		0.75W		DC 12V/24V	
LK-Z0T10-P07000-12WW-AW	WW		7	WW	1500	120		0.75W		DC 12V/24V	
LK-Z0T10-P07000-12CW-AW	CW		7	CW	1500	120		0.75W		DC 12V/24V	
LK-Z0T10-P07000-120P-AP	P		7	P	1000	120		0.75W		DC 12V/24V	
LK-Z0T10-P07000-120V-AV	V		7	V	400	120		0.75W		DC 12V/24V	



Part No.	Color	LED Electronic parameters					Lamp Base	Power	Dimension	Working Voltage	Remarks
		LED type	LED QTY.	Color	mcd	Angle					
LK-Z0T10-A01000-120R-AR	R	3528SMD	1	R	600	120	T10	0.75W		DC 12V/24V	T10/BA9S lamp base available
LK-Z0T10-A01000-120Y-AY	Y		1	Y	600	120		0.75W		DC 12V/24V	
LK-Z0T10-A01000-120B-AB	B		1	B	400	120		0.75W		DC 12V/24V	
LK-Z0T10-A01000-120G-AG	G		1	G	2000	120		0.75W		DC 12V/24V	
LK-Z0T10-A01000-120W-AW	W		1	W	1500	120		0.75W		DC 12V/24V	
LK-Z0T10-A01000-12WW-AW	WW		1	WW	1500	120		0.75W		DC 12V/24V	
LK-Z0T10-A01000-12CW-AW	CW		1	CW	1500	120		0.75W		DC 12V/24V	
LK-Z0T10-A01000-120P-AP	P		1	P	1000	120		0.75W		DC 12V/24V	
LK-Z0T10-A01000-120V-AV	V		1	V	400	120		0.75W		DC 12V/24V	



Part No.	Color	LED Electronic parameters					Lamp Base	Power	Dimension	Working Voltage	Remarks
		LED type	LED QTY.	Color	mcd	Angle					
LK-Z0T10-A03000-120R-AR	R	3528SMD	3	R	600	120	T10	0.75W		DC 12V/24V	T10/BA9S lamp base available
LK-Z0T10-A03000-120Y-AY	Y		3	Y	600	120		0.75W		DC 12V/24V	
LK-Z0T10-A03000-120B-AB	B		3	B	400	120		0.75W		DC 12V/24V	
LK-Z0T10-A03000-120G-AG	G		3	G	2000	120		0.75W		DC 12V/24V	
LK-Z0T10-A03000-120W-AW	W		3	W	1500	120		0.75W		DC 12V/24V	
LK-Z0T10-A03000-12WW-AW	WW		3	WW	1500	120		0.75W		DC 12V/24V	
LK-Z0T10-A03000-12CW-AW	CW		3	CW	1500	120		0.75W		DC 12V/24V	
LK-Z0T10-A03000-120P-AP	P		3	P	1000	120		0.75W		DC 12V/24V	
LK-Z0T10-A03000-120V-AV	V		3	V	400	120		0.75W		DC 12V/24V	



Part No.	Color	LED Electronic parameters					Lamp Base	Power	Dimension	Working Voltage	Remarks
		LED type	LED QTY.	Color	mcd	Angle					
LK-Z0T10-A04000-120R-AR	R	3528SMD	4	R	600	120	T10	0.75W		DC 12V/24V	T10/BA9S lamp base available
LK-Z0T10-A04000-120Y-AY	Y		4	Y	600	120		0.75W		DC 12V/24V	
LK-Z0T10-A04000-120B-AB	B		4	B	400	120		0.75W		DC 12V/24V	
LK-Z0T10-A04000-120G-AG	G		4	G	2000	120		0.75W		DC 12V/24V	
LK-Z0T10-A04000-120W-AW	W		4	W	1500	120		0.75W		DC 12V/24V	
LK-Z0T10-A04000-12WW-AW	WW		4	WW	1500	120		0.75W		DC 12V/24V	
LK-Z0T10-A04000-12CW-AW	CW		4	CW	1500	120		0.75W		DC 12V/24V	
LK-Z0T10-A04000-120P-AP	P		4	P	1000	120		0.75W		DC 12V/24V	
LK-Z0T10-A04000-120V-AV	V		4	V	400	120		0.75W		DC 12V/24V	



Part No.	Color	LED Electronic parameters					Lamp Base	Power	Dimension	Working Voltage	Remarks
		LED type	LED QTY.	Color	mcd	Angle					
LK-Z0T10-A09000-120R-AR	R	3528SMD	9	R	600	120	T10	0.75W		DC 12V/24V	T10/BA9S lamp base available
LK-Z0T10-A09000-120Y-AY	Y		9	Y	600	120		0.75W		DC 12V/24V	
LK-Z0T10-A09000-120B-AB	B		9	B	400	120		0.75W		DC 12V/24V	
LK-Z0T10-A09000-120G-AG	G		9	G	2000	120		0.75W		DC 12V/24V	
LK-Z0T10-A09000-120W-AW	W		9	W	1500	120		0.75W		DC 12V/24V	
LK-Z0T10-A09000-12WW-AW	WW		9	WW	1500	120		0.75W		DC 12V/24V	
LK-Z0T10-A09000-12CW-AW	CW		9	CW	1500	120		0.75W		DC 12V/24V	
LK-Z0T10-A09000-120P-AP	P		9	P	1000	120		0.75W		DC 12V/24V	
LK-Z0T10-A09000-120V-AV	V		9	V	400	120		0.75W		DC 12V/24V	



Part No.	Color	LED Electronic parameters					Lamp Base	Power	Dimension	Working Voltage	Remarks	
		LED type	LED QTY.	Color	mcd	Angle						
LK-Z0T10-A10000-120R-PC	R	3528SMD	10	R	600	120	T10	0.75W		DC 12V/24V	T10/BA9S lamp base available	
LK-Z0T10-A10000-120Y-AY	Y		10	Y	600	120		0.75W				DC 12V/24V
LK-Z0T10-A10000-120B-AB	B		10	B	400	120		0.75W				DC 12V/24V
LK-Z0T10-A10000-120G-AG	G		10	G	2000	120		0.75W				DC 12V/24V
LK-Z0T10-A10000-120W-AW	W		10	W	1500	120		0.75W				DC 12V/24V
LK-Z0T10-A10000-12WW-AW	WW		10	WW	1500	120		0.75W				DC 12V/24V
LK-Z0T10-A10000-12CW-AW	CW		10	CW	1500	120		0.75W				DC 12V/24V
LK-Z0T10-A10000-120P-AP	P		10	P	1000	120		0.75W				DC 12V/24V
LK-Z0T10-A10000-120V-AV	V		10	V	400	120		0.75W				DC 12V/24V



Part No.	Color	LED Electronic parameters					Lamp Base	Power	Dimension	Working Voltage	Remarks	
		LED type	LED QTY.	Color	mcd	Angle						
LK-Z0T10-A13000-120R-PC	R	3528SMD	13	R	600	120	T10	0.75W		DC 12V/24V	T10/BA9S lamp base available	
LK-Z0T10-A13000-120Y-AY	Y		13	Y	600	120		0.75W				DC 12V/24V
LK-Z0T10-A13000-120B-AB	B		13	B	400	120		0.75W				DC 12V/24V
LK-Z0T10-A13000-120G-AG	G		13	G	2000	120		0.75W				DC 12V/24V
LK-Z0T10-A13000-120W-AW	W		13	W	1500	120		0.75W				DC 12V/24V
LK-Z0T10-A13000-12WW-AW	WW		13	WW	1500	120		0.75W				DC 12V/24V
LK-Z0T10-A13000-12CW-AW	CW		13	CW	1500	120		0.75W				DC 12V/24V
LK-Z0T10-A13000-120P-AP	P		13	P	1000	120		0.75W				DC 12V/24V
LK-Z0T10-A13000-120V-AV	V		13	V	400	120		0.75W				DC 12V/24V



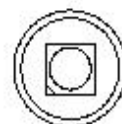
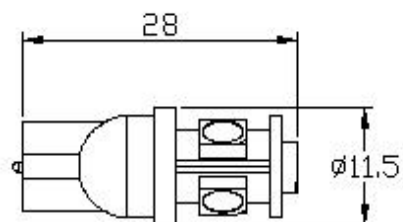
Part No.	Color	LED Electronic parameters					Lamp Base	Power	Dimension	Working Voltage	Remarks	
		LED type	LED QTY.	Color	mcd	Angle						
LK-Z0T10-A25000-120R-AR	R	3528SMD	25	R	600	120	T10	2.16W		DC 12V/24V	T10/BA9S lamp base available	
LK-Z0T10-A25000-120Y-AY	Y		25	Y	600	120		2.16W				DC 12V/24V
LK-Z0T10-A25000-120B-AB	B		25	B	400	120		2.16W				DC 12V/24V
LK-Z0T10-A25000-120G-AG	G		25	G	2000	120		2.16W				DC 12V/24V
LK-Z0T10-A25000-120W-AW	W		25	W	1500	120		2.16W				DC 12V/24V
LK-Z0T10-A25000-12WW-AW	WW		25	WW	1500	120		2.16W				DC 12V/24V
LK-Z0T10-A25000-12CW-AW	CW		25	CW	1500	120		2.16W				DC 12V/24V
LK-Z0T10-A25000-120P-AP	P		25	P	1000	120		2.16W				DC 12V/24V
LK-Z0T10-A25000-120V-AV	V		25	V	400	120		2.16W				DC 12V/24V



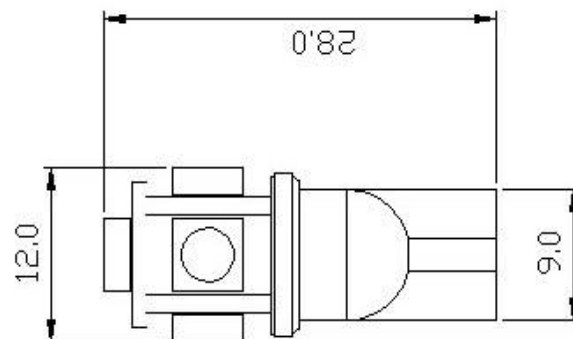
Part No.	Color	LED Electronic parameters					Lamp Base	Power	Dimension	Working Voltage	Remarks	
		LED type	LED QTY.	Color	mcd	Angle						
LK-Z0T10-B01000-120R-AR	R	5050SMD	1	R	600	120	T10	0.3W		DC 12V/24V	T10/BA9S lamp base available	
LK-Z0T10-B01000-120Y-AY	Y		1	Y	600	120		0.3W				DC 12V/24V
LK-Z0T10-B01000-120B-AB	B		1	B	400	120		0.3W				DC 12V/24V
LK-Z0T10-B01000-120G-AG	G		1	G	2000	120		0.3W				DC 12V/24V
LK-Z0T10-B01000-120W-AW	W		1	W	1500	120		0.3W				DC 12V/24V
LK-Z0T10-B01000-12WW-AW	WW		1	WW	1500	120		0.3W				DC 12V/24V
LK-Z0T10-B01000-12CW-AW	CW		1	CW	1500	120		0.3W				DC 12V/24V
LK-Z0T10-B01000-120P-AP	P		1	P	1000	120		0.3W				DC 12V/24V
LK-Z0T10-B01000-120V-AV	V		1	V	400	120		0.3W				DC 12V/24V



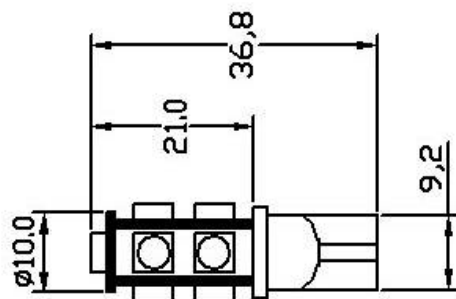
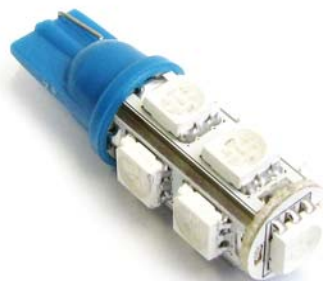
Part No.	Color	LED Electronic parameters					Lamp Base	Power	Dimension	Working Voltage	Remarks
		LED type	LED QTY.	Color	mcd	Angle					
LK-Z0T10-B04000-120R-PC	R	5050SMD	4	R	600	120	T10	0.94W		DC 12V/24V	T10/BA9S lamp base available
LK-Z0T10-B04000-120Y-AY	Y		4	Y	600	120		0.94W		DC 12V/24V	
LK-Z0T10-B04000-120B-AB	B		4	B	400	120		0.94W		DC 12V/24V	
LK-Z0T10-B04000-120G-AG	G		4	G	2000	120		0.94W		DC 12V/24V	
LK-Z0T10-B04000-120W-AW	W		4	W	1500	120		0.94W		DC 12V/24V	
LK-Z0T10-B04000-12WW-AW	WW		4	WW	1500	120		0.94W		DC 12V/24V	
LK-Z0T10-B04000-12CW-AW	CW		4	CW	1500	120		0.94W		DC 12V/24V	
LK-Z0T10-B04000-120P-AP	P		4	P	1000	120		0.94W		DC 12V/24V	
LK-Z0T10-B04000-120V-AV	V		4	V	400	120		0.94W		DC 12V/24V	



Part No.	Color	LED Electronic parameters					Lamp Base	Power	Dimension	Working Voltage	Remarks
		LED type	LED QTY.	Color	mcd	Angle					
LK-Z0T10-B05000-120R-AR	R	5050SMD	5	R	600	120	T10	1.2W		DC 12V/24V	T10/BA9S lamp base available
LK-Z0T10-B05000-120Y-AY	Y		5	Y	600	120		1.2W		DC 12V/24V	
LK-Z0T10-B05000-120B-AB	B		5	B	400	120		1.2W		DC 12V/24V	
LK-Z0T10-B05000-120G-AG	G		5	G	2000	120		1.2W		DC 12V/24V	
LK-Z0T10-B05000-120W-AW	W		5	W	1500	120		1.2W		DC 12V/24V	
LK-Z0T10-B05000-12WW-AW	WW		5	WW	1500	120		1.2W		DC 12V/24V	
LK-Z0T10-B05000-12CW-AW	CW		5	CW	1500	120		1.2W		DC 12V/24V	
LK-Z0T10-B05000-120P-AP	P		5	P	1000	120		1.2W		DC 12V/24V	
LK-Z0T10-B05000-120V-AV	V		5	V	400	120		1.2W		DC 12V/24V	



Part No.	Color	LED Electronic parameters					Lamp Base	Power	Dimension	Working Voltage	Remarks
		LED type	LED QTY.	Color	mcd	Angle					
LK-Z0T10-B09000-120R-AR	R	5050SMD	9	R	600	120	T10	1.2W		DC 12V/24V	T10/BA9S lamp base available
LK-Z0T10-B09000-120Y-AY	Y		9	Y	600	120		1.2W		DC 12V/24V	
LK-Z0T10-B09000-120B-AB	B		9	B	400	120		1.2W		DC 12V/24V	
LK-Z0T10-B09000-120G-AG	G		9	G	2000	120		1.2W		DC 12V/24V	
LK-Z0T10-B09000-120W-AW	W		9	W	1500	120		1.2W		DC 12V/24V	
LK-Z0T10-B09000-12WW-AW	WW		9	WW	1500	120		1.2W		DC 12V/24V	
LK-Z0T10-B09000-12CW-AW	CW		9	CW	1500	120		1.2W		DC 12V/24V	
LK-Z0T10-B09000-120P-AP	P		9	P	1000	120		1.2W		DC 12V/24V	
LK-Z0T10-B09000-120V-AV	V		9	V	400	120		1.2W		DC 12V/24V	



Part No.	Color	LED Electronic parameters					Lamp Base	Power	Dimension	Working Voltage	Remarks
		LED type	LED QTY.	Color	mcd	Angle					
LK-Z0T10-B13000-120R-AR	R	5050SMD	13	R	600	120	T10	3.12W		DC 12V/24V	T10/BA9S lamp base available
LK-Z0T10-B13000-120Y-AY	Y		13	Y	600	120		3.12W		DC 12V/24V	
LK-Z0T10-B13000-120B-AB	B		13	B	400	120		3.12W		DC 12V/24V	
LK-Z0T10-B13000-120G-AG	G		13	G	2000	120		3.12W		DC 12V/24V	
LK-Z0T10-B13000-120W-AW	W		13	W	1500	120		3.12W		DC 12V/24V	
LK-Z0T10-B13000-12WW-AW	WW		13	WW	1500	120		3.12W		DC 12V/24V	
LK-Z0T10-B13000-12CW-AW	CW		13	CW	1500	120		3.12W		DC 12V/24V	
LK-Z0T10-B13000-120P-AP	P		13	P	1000	120		3.12W		DC 12V/24V	
LK-Z0T10-B13000-120V-AV	V		13	V	400	120		3.12W		DC 12V/24V	



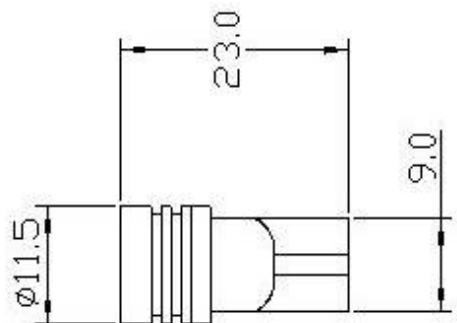
Part No.	Color	LED Electronic parameters					Lamp Base	Power	Dimension	Working Voltage	Remarks
		LED type	LED QTY.	Color	mcd	Angle					
LK-Z0T10-E01000-120R-AR	R	1W high power led	1	R	600	120	T10	1W		DC 12V/24V	T10/BA9S lamp base available
LK-Z0T10-E01000-120Y-AY	Y		1	Y	600	120	T10	1W		DC 12V/24V	
LK-Z0T10-E01000-120B-AB	B		1	B	400	120	T10	1W		DC 12V/24V	
LK-Z0T10-E01000-120G-AG	G		1	G	2000	120	T10	1W		DC 12V/24V	
LK-Z0T10-E01000-120W-AW	W		1	W	1500	120	T10	1W		DC 12V/24V	
LK-Z0T10-E01000-12WW-AW	WW		1	WW	1500	120	T10	1W		DC 12V/24V	
LK-Z0T10-E01000-12CW-AW	CW		1	CW	1500	120	T10	1W		DC 12V/24V	
LK-Z0T10-E01000-120P-AP	P		1	P	1000	120	T10	1W		DC 12V/24V	
LK-Z0T10-E01000-120V-AV	V		1	V	400	120	T10	1W		DC 12V/24V	



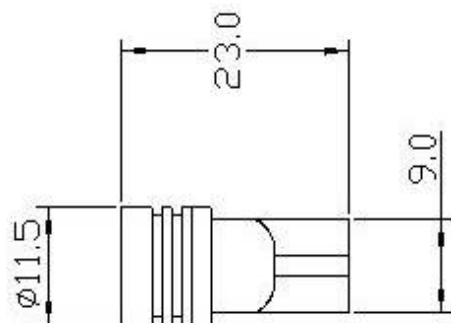
Part No.	Color	LED Electronic parameters					Lamp Base	Power	Dimension	Working Voltage	Remarks
		LED type	LED QTY.	Color	mcd	Angle					
LK-Z0T10-M01000-120R-AR	R	0.5W high power led	1	R	600	120	T10	0.5W		DC 12V/24V	T10/BA9S lamp base available
LK-Z0T10-M01000-120Y-AY	Y		1	Y	600	120	T10	0.5W		DC 12V/24V	
LK-Z0T10-M01000-120B-AB	B		1	B	400	120	T10	0.5W		DC 12V/24V	
LK-Z0T10-M01000-120G-AG	G		1	G	2000	120	T10	0.5W		DC 12V/24V	
LK-Z0T10-M01000-120W-AW	W		1	W	1500	120	T10	0.5W		DC 12V/24V	
LK-Z0T10-M01000-12WW-AW	WW		1	WW	1500	120	T10	0.5W		DC 12V/24V	
LK-Z0T10-M01000-12CW-AW	CW		1	CW	1500	120	T10	0.5W		DC 12V/24V	
LK-Z0T10-M01000-120P-AP	P		1	P	1000	120	T10	0.5W		DC 12V/24V	
LK-Z0T10-M01000-120V-AV	V		1	V	400	120	T10	0.5W		DC 12V/24V	



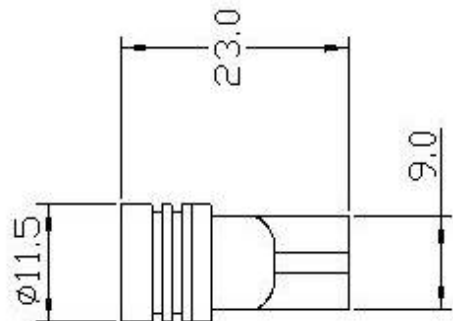
Part No.	Color	LED Electronic parameters					Lamp Base	Power	Dimension	Working Voltage	Remarks
		LED type	LED QTY.	Color	mcd	Angle					
LK-Z0T10-S01000-120R-AR	R	0.5W high power led	1	R	600	120	T10	0.5W		DC 12V/24V	T10/BA9S lamp base available
LK-Z0T10-S01000-120Y-AY	Y		1	Y	600	120	T10	0.5W		DC 12V/24V	
LK-Z0T10-S01000-120B-AB	B		1	B	400	120	T10	0.5W		DC 12V/24V	
LK-Z0T10-S01000-120G-AG	G		1	G	2000	120	T10	0.5W		DC 12V/24V	
LK-Z0T10-S01000-120W-AW	W		1	W	1500	120	T10	0.5W		DC 12V/24V	
LK-Z0T10-S01000-12WW-AW	WW		1	WW	1500	120	T10	0.5W		DC 12V/24V	
LK-Z0T10-S01000-12CW-AW	CW		1	CW	1500	120	T10	0.5W		DC 12V/24V	
LK-Z0T10-S01000-120P-AP	P		1	P	1000	120	T10	0.5W		DC 12V/24V	
LK-Z0T10-S01000-120V-AV	V		1	V	400	120	T10	0.5W		DC 12V/24V	



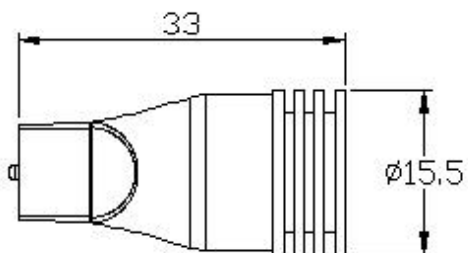
Part No.	Color	LED Electronic parameters					Lamp Base	Power	Dimension	Working Voltage	Remarks
		LED type	LED QTY.	Color	mcd	Angle					
LK-Z0T10-H01000-120R-AR	R	1W high power led	1	R	600	120	T10	1W		DC 12V/24V	T10/BA9S lamp base available
LK-Z0T10-H01000-120Y-AY	Y		1	Y	600	120	T10	1W		DC 12V/24V	
LK-Z0T10-H01000-120B-AB	B		1	B	400	120	T10	1W		DC 12V/24V	
LK-Z0T10-H01000-120G-AG	G		1	G	2000	120	T10	1W		DC 12V/24V	
LK-Z0T10-H01000-120W-AW	W		1	W	1500	120	T10	1W		DC 12V/24V	
LK-Z0T10-H01000-12WW-AW	WW		1	WW	1500	120	T10	1W		DC 12V/24V	
LK-Z0T10-H01000-12CW-AW	CW		1	CW	1500	120	T10	1W		DC 12V/24V	
LK-Z0T10-H01000-120P-AP	P		1	P	1000	120	T10	1W		DC 12V/24V	
LK-Z0T10-H01000-120V-AV	V		1	V	400	120	T10	1W		DC 12V/24V	



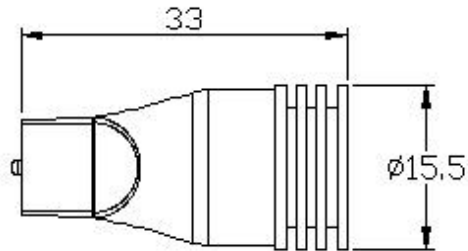
Part No.	Color	LED Electronic parameters					Lamp Base	Power	Dimension	Working Voltage	Remarks
		LED type	LED QTY.	Color	mcd	Angle					
LK-Z0T10-C01000-120R-AR	R	1.5W high power led	1	R	600	120	T10	1.5W		DC 12V/24V	T10/BA9S lamp base available
LK-Z0T10-C01000-120Y-AY	Y		1	Y	600	120	T10	1.5W		DC 12V/24V	
LK-Z0T10-C01000-120B-AB	B		1	B	400	120	T10	1.5W		DC 12V/24V	
LK-Z0T10-C01000-120G-AG	G		1	G	2000	120	T10	1.5W		DC 12V/24V	
LK-Z0T10-C01000-120W-AW	W		1	W	1500	120	T10	1.5W		DC 12V/24V	
LK-Z0T10-C01000-12WW-AW	WW		1	WW	1500	120	T10	1.5W		DC 12V/24V	
LK-Z0T10-C01000-12CW-AW	CW		1	CW	1500	120	T10	1.5W		DC 12V/24V	
LK-Z0T10-C01000-120P-AP	P		1	P	1000	120	T10	1.5W		DC 12V/24V	
LK-Z0T10-C01000-120V-AV	V		1	V	400	120	T10	1.5W		DC 12V/24V	



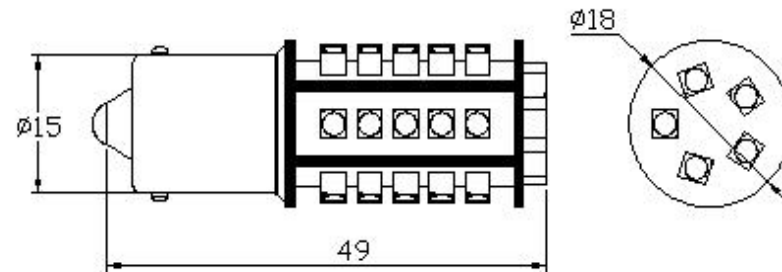
Part No.	Color	LED Electronic parameters					Lamp Base	Power	Dimension	Working Voltage	Remarks
		LED type	LED QTY.	Color	mcd	Angle					
LK-Z0T15-H01000-120R-AR	R	1W high power led	1	R	600	120	T15	1W		DC 12V/24V	
LK-Z0T15-H01000-120Y-AY	Y		1	Y	600	120	T15	1W		DC 12V/24V	
LK-Z0T15-H01000-120B-AB	B		1	B	400	120	T15	1W		DC 12V/24V	
LK-Z0T15-H01000-120G-AG	G		1	G	2000	120	T15	1W		DC 12V/24V	
LK-Z0T15-H01000-120W-AW	W		1	W	1500	120	T15	1W		DC 12V/24V	
LK-Z0T15-H01000-12WW-AW	WW		1	WW	1500	120	T15	1W		DC 12V/24V	
LK-Z0T15-H01000-12CW-AW	CW		1	CW	1500	120	T15	1W		DC 12V/24V	
LK-Z0T15-H01000-120P-AP	P		1	P	1000	120	T15	1W		DC 12V/24V	
LK-Z0T15-H01000-120V-AV	V		1	V	400	120	T15	1W		DC 12V/24V	



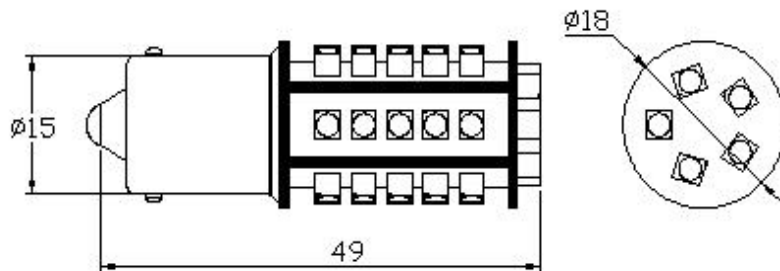
Part No.	Color	LED Electronic parameters					Lamp Base	Power	Dimension	Working Voltage	Remarks
		LED type	LED QTY.	Color	mcd	Angle					
LK-Z0T15-C01000-120R-AR	R	1.5W high power led	1	R	600	120	T15	1.5W		DC 12V/24V	
LK-Z0T15-C01000-120Y-AY	Y		1	Y	600	120	T15	1.5W		DC 12V/24V	
LK-Z0T15-C01000-120B-AB	B		1	B	400	120	T15	1.5W		DC 12V/24V	
LK-Z0T15-C01000-120G-AG	G		1	G	2000	120	T15	1.5W		DC 12V/24V	
LK-Z0T15-C01000-120W-AW	W		1	W	1500	120	T15	1.5W		DC 12V/24V	
LK-Z0T15-C01000-12WW-AW	WW		1	WW	1500	120	T15	1.5W		DC 12V/24V	
LK-Z0T15-C01000-12CW-AW	CW		1	CW	1500	120	T15	1.5W		DC 12V/24V	
LK-Z0T15-C01000-120P-AP	P		1	P	1000	120	T15	1.5W		DC 12V/24V	
LK-Z0T15-C01000-120V-AV	V		1	V	400	120	T15	1.5W		DC 12V/24V	



Part No.	Color	LED Electronic parameters					Lamp Base	Power	Dimension	Working Voltage	Remarks
		LED type	LED QTY.	Color	mcd	Angle					
LK-K1156-A30000-120R-PC	R	3528SMD	30	R	600	120	3156/3157/7440/7443/1156/1157	2.4W	DC 12V/24V	BA15S/BAU15S/BA15D/BAY15D/BAZ15D/7440/7443/3156/3157 Lamp base available	
LK-K1156-A30000-120Y-PC	Y		30	Y	600	120		2.4W			
LK-K1156-A30000-120B-PC	B		30	B	400	120		2.4W			
LK-K1156-A30000-120G-PC	G		30	G	2000	120		2.4W			
LK-K1156-A30000-120W-PC	W		30	W	1500	120		2.4W			
LK-K1156-A30000-12WW-PC	WW		30	WW	1500	120		2.4W			
LK-K1156-A30000-12CW-PC	CW		30	CW	1500	120		2.4W			
LK-K1156-A30000-120P-PC	P		30	P	1000	120		2.4W			
LK-K1156-A30000-120V-PC	V		30	V	400	120		2.4W			



Part No.	Color	LED Electronic parameters					Lamp Base	Power	Dimension	Working Voltage	Remarks
		LED type	LED QTY.	Color	mcd	Angle					
LK-K1156-A31000-120R-PC	R	3528SMD	31	R	600	120	3156/3157/7 440/7443/11 56/1157	1.5W	DC 12V/24V	BA15S/BAU15 S/BA15D/BAY 15D/BAZ15D/ 7440/7443/3 156/3157 Lamp base available	
LK-K1156-A31000-120Y-PC	Y		31	Y	600	120		1.5W			
LK-K1156-A31000-120B-PC	B		31	B	400	120		1.5W			
LK-K1156-A31000-120G-PC	G		31	G	2000	120		1.5W			
LK-K1156-A31000-120W-PC	W		31	W	1500	120		1.5W			
LK-K1156-A31000-12WW-PC	WW		31	WW	1500	120		1.5W			
LK-K1156-A31000-12CW-PC	CW		31	CW	1500	120		1.5W			
LK-K1156-A31000-120P-PC	P		31	P	1000	120		1.5W			
LK-K1156-A31000-120V-PC	V		31	V	400	120		1.5W			



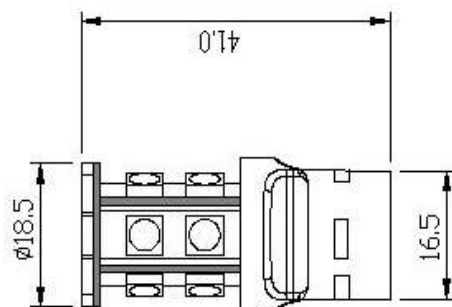
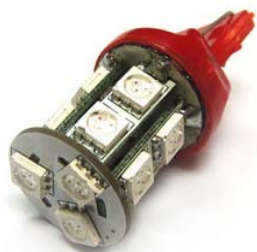
Part No.	Color	LED Electronic parameters					Lamp Base	Power	Dimension	Working Voltage	Remarks
		LED type	LED QTY.	Color	mcd	Angle					
LK-K1156-B06000-120R-PC	R	5050SMD	6	R	600	120	1156	1.44W	DC 12V/24V	BA15S/BAU15 S/BA15D/BAY 15D/BAZ15D/ 7440/7443/3 156/3157 Lamp base available	
LK-K1156-B06000-120Y-PC	Y		6	Y	600	120		1.44W			
LK-K1156-B06000-120B-PC	B		6	B	400	120		1.44W			
LK-K1156-B06000-120G-PC	G		6	G	2000	120		1.44W			
LK-K1156-B06000-120W-PC	W		6	W	1500	120		1.44W			
LK-K1156-B06000-12WW-PC	WW		6	WW	1500	120		1.44W			
LK-K1156-B06000-12CW-PC	CW		6	CW	1500	120		1.44W			
LK-K1156-B06000-120P-PC	P		6	P	1000	120		1.44W			
LK-K1156-B06000-120V-PC	V		6	V	400	120		1.44W			



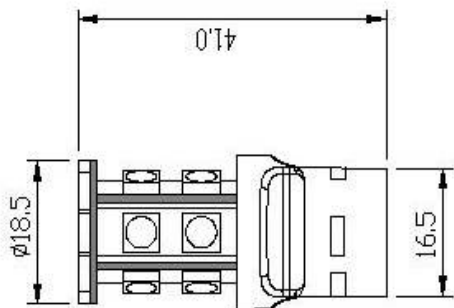
Part No.	Color	LED Electronic parameters					Lamp Base	Power	Dimension	Working Voltage	Remarks
		LED type	LED QTY.	Color	mcd	Angle					
LK-K1156-B11000-120R-PC	R	5050SMD	11	R	600	120	3156/3157/7 440/7443/11 56/1157	1.5W	DC 12V/24V	BA15S/BAU15 S/BA15D/BAY 15D/BAZ15D/ 7440/7443/3 156/3157 Lamp base available	
LK-K1156-B11000-120Y-PC	Y		11	Y	600	120		1.5W			
LK-K1156-B11000-120B-PC	B		11	B	400	120		1.5W			
LK-K1156-B11000-120G-PC	G		11	G	2000	120		1.5W			
LK-K1156-B11000-120W-PC	W		11	W	1500	120		1.5W			
LK-K1156-B11000-12WW-PC	WW		11	WW	1500	120		1.5W			
LK-K1156-B11000-12CW-PC	CW		11	CW	1500	120		1.5W			
LK-K1156-B11000-120P-PC	P		11	P	1000	120		1.5W			
LK-K1156-B11000-120V-PC	V		11	V	400	120		1.5W			



Part No.	Color	LED Electronic parameters					Lamp Base	Power	Dimension	Working Voltage	Remarks
		LED type	LED QTY.	Color	mcd	Angle					
LK-Z3156-B13000-120R-AR	R	5050SMD	13	R	600	120	3156/3157/7 440/7443/11 56/1157	1.5W	DC 12V/24V	BA15S/BAU15 S/BA15D/BAY 15D/BAZ15D/ 7440/7443/3 156/3157 Lamp base available	
LK-Z3156-B13000-120Y-AY	Y		13	Y	600	120		1.5W			
LK-Z3156-B13000-120B-AB	B		13	B	400	120		1.5W			
LK-Z3156-B13000-120G-AG	G		13	G	2000	120		1.5W			
LK-Z3156-B13000-120W-AW	W		13	W	1500	120		1.5W			
LK-Z3156-B13000-12WW-AW	WW		13	WW	1500	120		1.5W			
LK-Z3156-B13000-12CW-AW	CW		13	CW	1500	120		1.5W			
LK-Z3156-B13000-120P-AP	P		13	P	1000	120		1.5W			
LK-Z3156-B13000-120V-AV	V		13	V	400	120		1.5W			



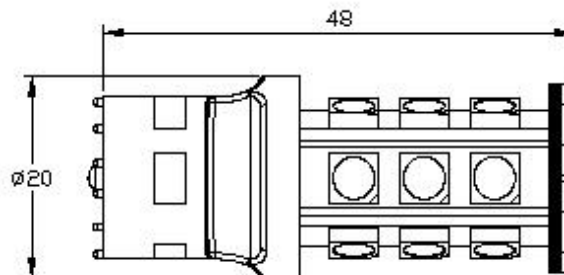
Part No.	Color	LED Electronic parameters					Lamp Base	Power	Dimension	Working Voltage	Remarks
		LED type	LED QTY.	Color	mcd	Angle					
LK-Z3156-B16000-120R-AR	R	5050SMD	16	R	600	120	3156/3157/7 440/7443/11 56/1157	1.5W	DC 12V/24V	BA15S/BAU15 S/BA15D/BAY 15D/BAZ15D/ 7440/7443/3 156/3157 Lamp base available	
LK-Z3156-B16000-120Y-AY	Y		16	Y	600	120		1.5W			
LK-Z3156-B16000-120B-AB	B		16	B	400	120		1.5W			
LK-Z3156-B16000-120G-AG	G		16	G	2000	120		1.5W			
LK-Z3156-B16000-120W-AW	W		16	W	1500	120		1.5W			
LK-Z3156-B16000-12WW-AW	WW		16	WW	1500	120		1.5W			
LK-Z3156-B16000-12CW-AW	CW		16	CW	1500	120		1.5W			
LK-Z3156-B16000-120P-AP	P		16	P	1000	120		1.5W			
LK-Z3156-B16000-120V-AV	V		16	V	400	120		1.5W			



Part No.	Color	LED Electronic parameters					Lamp Base	Power	Dimension	Working Voltage	Remarks
		LED type	LED QTY.	Color	mcd	Angle					
LK-K1156-B18000-120R-PC	R	5050SMD	18	R	600	120	3156/3157/7 440/7443/11 56/1157	1.44W	DC 12V/24V	BA15S/BAU15 S/BA15D/BAY 15D/BAZ15D/ 7440/7443/3 156/3157 Lamp base available	
LK-K1156-B18000-120Y-PC	Y		18	Y	600	120		1.44W			
LK-K1156-B18000-120B-PC	B		18	B	400	120		1.44W			
LK-K1156-B18000-120G-PC	G		18	G	2000	120		1.44W			
LK-K1156-B18000-120W-PC	W		18	W	1500	120		1.44W			
LK-K1156-B18000-12WW-PC	WW		18	WW	1500	120		1.44W			
LK-K1156-B18000-12CW-PC	CW		18	CW	1500	120		1.44W			
LK-K1156-B18000-120P-PC	P		18	P	1000	120		1.44W			
LK-K1156-B18000-120V-PC	V		18	V	400	120		1.44W			



Part No.	Color	LED Electronic parameters					Lamp Base	Power	Dimension	Working Voltage	Remarks
		LED type	LED QTY.	Color	mcd	Angle					
LK-Z3156-B21000-120R-AR	R	5050SMD	21	R	600	120	3156/3157/7 440/7443/11 56/1157	5.04W		DC 12V/24V	BA15S/BAU15 S/BA15D/BAY 15D/BAZ15D/ 7440/7443/3 156/3157 Lamp base available
LK-Z3156-B21000-120Y-AY	Y		21	Y	600	120		5.04W		DC 12V/24V	
LK-Z3156-B21000-120B-AB	B		21	B	400	120		5.04W		DC 12V/24V	
LK-Z3156-B21000-120G-AG	G		21	G	2000	120		5.04W		DC 12V/24V	
LK-Z3156-B21000-120W-AW	W		21	W	1500	120		5.04W		DC 12V/24V	
LK-Z3156-B21000-12WW-AW	WW		21	WW	1500	120		5.04W		DC 12V/24V	
LK-Z3156-B21000-12CW-AW	CW		21	CW	1500	120		5.04W		DC 12V/24V	
LK-Z3156-B21000-120P-AP	P		21	P	1000	120		5.04W		DC 12V/24V	
LK-Z3156-B21000-120V-AV	V		21	V	400	120		5.04W		DC 12V/24V	



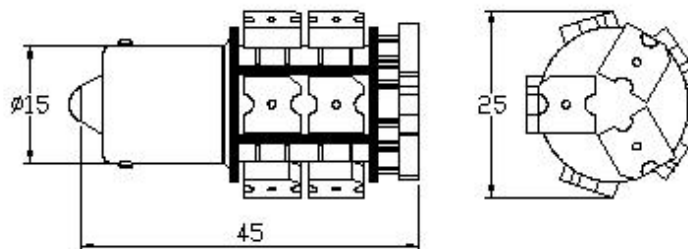
Part No.	Color	LED Electronic parameters					Lamp Base	Power	Dimension	Working Voltage	Remarks
		LED type	LED QTY.	Color	mcd	Angle					
LK-K1156-B24000-120R-PC	R	5050SMD	24	R	600	120	3156/3157/7 440/7443/11 56/1157	5.76W		DC 12V/24V	BA15S/BAU15 S/BA15D/BAY 15D/BAZ15D/ 7440/7443/3 156/3157 Lamp base available
LK-K1156-B24000-120Y-PC	Y		24	Y	600	120		5.76W		DC 12V/24V	
LK-K1156-B24000-120B-PC	B		24	B	400	120		5.76W		DC 12V/24V	
LK-K1156-B24000-120G-PC	G		24	G	2000	120		5.76W		DC 12V/24V	
LK-K1156-B24000-120W-PC	W		24	W	1500	120		5.76W		DC 12V/24V	
LK-K1156-B24000-12WW-PC	WW		24	WW	1500	120		5.76W		DC 12V/24V	
LK-K1156-B24000-12CW-PC	CW		24	CW	1500	120		5.76W		DC 12V/24V	
LK-K1156-B24000-120P-PC	P		24	P	1000	120		5.76W		DC 12V/24V	
LK-K1156-B24000-120V-PC	V		24	V	400	120		5.76W		DC 12V/24V	



Part No.	Color	LED Electronic parameters					Lamp Base	Power	Dimension	Working Voltage	Remarks
		LED type	LED QTY.	Color	mcd	Angle					
LK-K1156-B27000-120R-PC	R	5050SMD	27	R	600	120	3156/3157/7 440/7443/11 56/1157	6.48W	DC 12V/24V	BA15S/BAU15 S/BA15D/BAY 15D/BAZ15D/ 7440/7443/3 156/3157 Lamp base available	
LK-K1156-B27000-120Y-PC	Y		27	Y	600	120		6.48W			
LK-K1156-B27000-120B-PC	B		27	B	400	120		6.48W			
LK-K1156-B27000-120G-PC	G		27	G	2000	120		6.48W			
LK-K1156-B27000-120W-PC	W		27	W	1500	120		6.48W			
LK-K1156-B27000-12WW-PC	WW		27	WW	1500	120		6.48W			
LK-K1156-B27000-12CW-PC	CW		27	CW	1500	120		6.48W			
LK-K1156-B27000-120P-PC	P		27	P	1000	120		6.48W			
LK-K1156-B27000-120V-PC	V		27	V	400	120		6.48W			



Part No.	Color	LED Electronic parameters					Lamp Base	Power	Dimension	Working Voltage	Remarks
		LED type	LED QTY.	Color	mcd	Angle					
LK-Z3156-Y13000-120R-AR	R	flat piranha led	13	R	600	120	3156/3157/7 440/7443/11 56/1157	1.44W	DC 12V/24V	BA15S/BAU15 S/BA15D/BAY 15D/BAZ15D/ 7440/7443/3 156/3157 Lamp base available	
LK-Z3156-Y13000-120Y-AY	Y		13	Y	600	120		1.44W			
LK-Z3156-Y13000-120B-AB	B		13	B	400	120		1.44W			
LK-Z3156-Y13000-120G-AG	G		13	G	2000	120		1.44W			
LK-Z3156-Y13000-120W-AW	W		13	W	1500	120		1.44W			
LK-Z3156-Y13000-12WW-AW	WW		13	WW	1500	120		1.44W			
LK-Z3156-Y13000-12CW-AW	CW		13	CW	1500	120		1.44W			
LK-Z3156-Y13000-120P-AP	P		13	P	1000	120		1.44W			
LK-Z3156-Y13000-120V-AV	V		13	V	400	120		1.44W			



Part No.	Color	LED Electronic parameters					Lamp Base	Power	Dimension	Working Voltage	Remarks
		LED type	LED QTY.	Color	mcd	Angle					
LK-K1156-Y18000-120R-PC	R	round piranha led	18	R	600	120	3156/3157/7 440/7443/11 56/1157	1.44W		DC 12V/24V	BA15S/BAU15 S/BA15D/BAY 15D/BAZ15D/ 7440/7443/3 156/3157 Lamp base available
LK-K1156-Y18000-120Y-PC	Y		18	Y	600	120		1.44W		DC 12V/24V	
LK-K1156-Y18000-120B-PC	B		18	B	400	120		1.44W		DC 12V/24V	
LK-K1156-Y18000-120G-PC	G		18	G	2000	120		1.44W		DC 12V/24V	
LK-K1156-Y18000-120W-PC	W		18	W	1500	120		1.44W		DC 12V/24V	
LK-K1156-Y18000-12WW-PC	WW		18	WW	1500	120		1.44W		DC 12V/24V	
LK-K1156-Y18000-12CW-PC	CW		18	CW	1500	120		1.44W		DC 12V/24V	
LK-K1156-Y18000-120P-PC	P		18	P	1000	120		1.44W		DC 12V/24V	
LK-K1156-Y18000-120V-PC	V		18	V	400	120		1.44W		DC 12V/24V	



Part No.	Color	LED Electronic parameters					Lamp Base	Power	Dimension	Working Voltage	Remarks
		LED type	LED QTY.	Color	mcd	Angle					
LK-K1156-K20000-120R-PC	R	flat piranha led	20	R	600	120	3156/3157/7 440/7443/11 56/1157	1.44W		DC 12V/24V	BA15S/BAU15 S/BA15D/BAY 15D/BAZ15D/ 7440/7443/3 156/3157 Lamp base available
LK-K1156-K20000-120Y-PC	Y		20	Y	600	120		1.44W		DC 12V/24V	
LK-K1156-K20000-120B-PC	B		20	B	400	120		1.44W		DC 12V/24V	
LK-K1156-K20000-120G-PC	G		20	G	2000	120		1.44W		DC 12V/24V	
LK-K1156-K20000-120W-PC	W		20	W	1500	120		1.44W		DC 12V/24V	
LK-K1156-K20000-12WW-PC	WW		20	WW	1500	120		1.44W		DC 12V/24V	
LK-K1156-K20000-12CW-PC	CW		20	CW	1500	120		1.44W		DC 12V/24V	
LK-K1156-K20000-120P-PC	P		20	P	1000	120		1.44W		DC 12V/24V	
LK-K1156-K20000-120V-PC	V		20	V	400	120		1.44W		DC 12V/24V	



Part No.	Color	LED Electronic parameters					Lamp Base	Power	Dimension	Working Voltage	Remarks
		LED type	LED QTY.	Color	mcd	Angle					
LK-K1156-S03000-120R-PI	R	0.5W high power led	3	R	600	120	1156/1157	1.5W		DC 12V/24V	BA15S/BAU15 S/BA15D/BAY 15D/BAZ15D Lamp base available
LK-K1156-S03000-120Y-PI	Y		3	Y	600	120		1.5W		DC 12V/24V	
LK-K1156-S03000-120B-PI	B		3	B	400	120		1.5W		DC 12V/24V	
LK-K1156-S03000-120G-PI	G		3	G	2000	120		1.5W		DC 12V/24V	
LK-K1156-S03000-120W-PI	W		3	W	1500	120		1.5W		DC 12V/24V	
LK-K1156-S03000-12WW-PI	WW		3	WW	1500	120		1.5W		DC 12V/24V	
LK-K1156-S03000-12CW-PI	CW		3	CW	1500	120		1.5W		DC 12V/24V	
LK-K1156-S03000-120P-PI	P		3	P	1000	120		1.5W		DC 12V/24V	
LK-K1156-S03000-120V-PI	V		3	V	400	120		1.5W		DC 12V/24V	



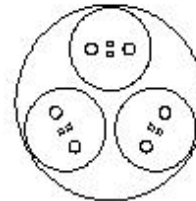
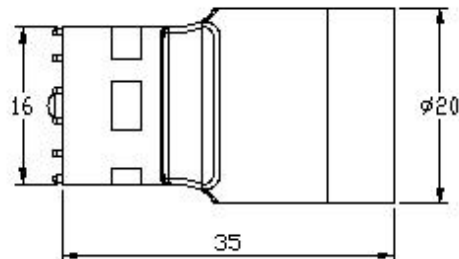
Part No.	Color	LED Electronic parameters					Lamp Base	Power	Dimension	Working Voltage	Remarks
		LED type	LED QTY.	Color	mcd	Angle					
LK-K1156-H03000-120R-PI	R	1W high power led	3	R	600	120	1156/1157	3W		DC 12V/24V	BA15S/BAU15 S/BA15D/BAY 15D/BAZ15D Lamp base available
LK-K1156-H03000-120Y-PI	Y		3	Y	600	120		3W		DC 12V/24V	
LK-K1156-H03000-120B-PI	B		3	B	400	120		3W		DC 12V/24V	
LK-K1156-H03000-120G-PI	G		3	G	2000	120		3W		DC 12V/24V	
LK-K1156-H03000-120W-PI	W		3	W	1500	120		3W		DC 12V/24V	
LK-K1156-H03000-12WW-PI	WW		3	WW	1500	120		3W		DC 12V/24V	
LK-K1156-H03000-12CW-PI	CW		3	CW	1500	120		3W		DC 12V/24V	
LK-K1156-H03000-120P-PI	P		3	P	1000	120		3W		DC 12V/24V	
LK-K1156-H03000-120V-PI	V		3	V	400	120		3W		DC 12V/24V	



Part No.	Color	LED Electronic parameters					Lamp Base	Power	Dimension	Working Voltage	Remarks
		LED type	LED QTY.	Color	mcd	Angle					
LK-K1156-H03000-120R-PH	R	1W high power led	3	R	600	120	1156/1157	3W		DC 12V/24V	BA15S/BAU15S/BA15D/BAY15D/BAZ15D Lamp base available
LK-K1156-H03000-120Y-PH	Y		3	Y	600	120		3W		DC 12V/24V	
LK-K1156-H03000-120B-PH	B		3	B	400	120		3W		DC 12V/24V	
LK-K1156-H03000-120G-PH	G		3	G	2000	120		3W		DC 12V/24V	
LK-K1156-H03000-120W-PH	W		3	W	1500	120		3W		DC 12V/24V	
LK-K1156-H03000-12WW-PH	WW		3	WW	1500	120		3W		DC 12V/24V	
LK-K1156-H03000-12CW-PH	CW		3	CW	1500	120		3W		DC 12V/24V	
LK-K1156-H03000-120P-PH	P		3	P	1000	120		3W		DC 12V/24V	
LK-K1156-H03000-120V-PH	V		3	V	400	120		3W		DC 12V/24V	



Part No.	Color	LED Electronic parameters					Lamp Base	Power	Dimension	Working Voltage	Remarks
		LED type	LED QTY.	Color	mcd	Angle					
LK-Z7440-S03000-120R-AR	R	0.5W high power led	3	R	600	120	7440/7443	1.5W		DC 12V/24V	7440/7443 Lamp base available
LK-Z7440-S03000-120Y-AY	Y		3	Y	600	120		1.5W		DC 12V/24V	
LK-Z7440-S03000-120B-AB	B		3	B	400	120		1.5W		DC 12V/24V	
LK-Z7440-S03000-120G-AG	G		3	G	2000	120		1.5W		DC 12V/24V	
LK-Z7440-S03000-120W-AW	W		3	W	1500	120		1.5W		DC 12V/24V	
LK-Z7440-S03000-12WW-AW	WW		3	WW	1500	120		1.5W		DC 12V/24V	
LK-Z7440-S03000-12CW-AW	CW		3	CW	1500	120		1.5W		DC 12V/24V	
LK-Z7440-S03000-120P-AP	P		3	P	1000	120		1.5W		DC 12V/24V	
LK-Z7440-S03000-120V-AV	V		3	V	400	120		1.5W		DC 12V/24V	



Part No.	Color	LED Electronic parameters					Lamp Base	Power	Dimension	Working Voltage	Remarks
		LED type	LED QTY.	Color	mcd	Angle					
LK-K1156-S04000-120R-PI	R	0.5W high power led	4	R	600	120	1156/1157	2W		DC 12V/24V	BA15S/BAU15S/BA15D/BAY15D/BAZ15D Lamp base available
LK-K1156-S04000-120Y-PI	Y		4	Y	600	120		2W		DC 12V/24V	
LK-K1156-S04000-120B-PI	B		4	B	400	120		2W		DC 12V/24V	
LK-K1156-S04000-120G-PI	G		4	G	2000	120		2W		DC 12V/24V	
LK-K1156-S04000-120W-PI	W		4	W	1500	120		2W		DC 12V/24V	
LK-K1156-S04000-12WW-PI	WW		4	WW	1500	120		2W		DC 12V/24V	
LK-K1156-S04000-12CW-PI	CW		4	CW	1500	120		2W		DC 12V/24V	
LK-K1156-S04000-120P-PI	P		4	P	1000	120		2W		DC 12V/24V	
LK-K1156-S04000-120V-PI	V		4	V	400	120		2W		DC 12V/24V	



Part No.	Color	LED Electronic parameters					Lamp Base	Power	Dimension	Working Voltage	Remarks
		LED type	LED QTY.	Color	mcd	Angle					
LK-K1156-H04000-120R-PI	R	1W high power led	4	R	600	120	1156/1157	4W		DC 12V/24V	BA15S/BAU15S/BA15D/BAY15D/BAZ15D Lamp base available
LK-K1156-H04000-120Y-PI	Y		4	Y	600	120		4W		DC 12V/24V	
LK-K1156-H04000-120B-PI	B		4	B	400	120		4W		DC 12V/24V	
LK-K1156-H04000-120G-PI	G		4	G	2000	120		4W		DC 12V/24V	
LK-K1156-H04000-120W-PI	W		4	W	1500	120		4W		DC 12V/24V	
LK-K1156-H04000-12WW-PI	WW		4	WW	1500	120		4W		DC 12V/24V	
LK-K1156-H04000-12CW-PI	CW		4	CW	1500	120		4W		DC 12V/24V	
LK-K1156-H04000-120P-PI	P		4	P	1000	120		4W		DC 12V/24V	
LK-K1156-H04000-120V-PI	V		4	V	400	120		4W		DC 12V/24V	



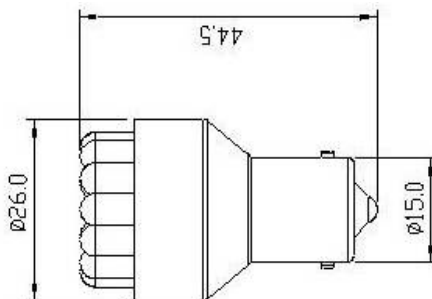
Part No.	Color	LED Electronic parameters					Lamp Base	Power	Dimension	Working Voltage	Remarks
		LED type	LED QTY.	Color	mcd	Angle					
LK-K1156-H04000-120R-PH	R	1W high power led	4	R	600	120	1156/1157	4W		DC 12V/24V	BA15S/BAU15S/BA15D/BAY15D/BAZ15D Lamp base available
LK-K1156-H04000-120Y-PH	Y		4	Y	600	120		4W		DC 12V/24V	
LK-K1156-H04000-120B-PH	B		4	B	400	120		4W		DC 12V/24V	
LK-K1156-H04000-120G-PH	G		4	G	2000	120		4W		DC 12V/24V	
LK-K1156-H04000-120W-PH	W		4	W	1500	120		4W		DC 12V/24V	
LK-K1156-H04000-12WW-PH	WW		4	WW	1500	120		4W		DC 12V/24V	
LK-K1156-H04000-12CW-PH	CW		4	CW	1500	120		4W		DC 12V/24V	
LK-K1156-H04000-120P-PH	P		4	P	1000	120		4W		DC 12V/24V	
LK-K1156-H04000-120V-PH	V		4	V	400	120		4W		DC 12V/24V	



Part No.	Color	LED Electronic parameters					Lamp Base	Power	Dimension	Working Voltage	Remarks
		LED type	LED QTY.	Color	mcd	Angle					
LK-K1156-H03K10-120R-PH	R	1WHP+FISH	13	R	600	120	1156/1157	5.4W		DC 12V/24V	BA15S/BAU15S/BA15D/BAY15D/BAZ15D Lamp base available
LK-K1156-H03K10-120Y-PH	Y		13	Y	600	120		5.4W		DC 12V/24V	
LK-K1156-H03K10-120B-PH	B		13	B	400	120		5.4W		DC 12V/24V	
LK-K1156-H03K10-120G-PH	G		13	G	2000	120		5.4W		DC 12V/24V	
LK-K1156-H03K10-120W-PH	W		13	W	1500	120		5.4W		DC 12V/24V	
LK-K1156-H03K10-12WW-PH	WW		13	WW	1500	120		5.4W		DC 12V/24V	
LK-K1156-H03K10-12CW-PH	CW		13	CW	1500	120		5.4W		DC 12V/24V	
LK-K1156-H03K10-120P-PH	P		13	P	1000	120		5.4W		DC 12V/24V	
LK-K1156-H03K10-120V-PH	V		13	V	400	120		5.4W		DC 12V/24V	



Part No.	Color	LED Electronic parameters					Lamp Base	Power	Dimension	Working Voltage	Remarks
		LED type	LED QTY.	Color	mcd	Angle					
LK-K1156-W05000-120R-PT	R	5mm led	5	R	600	120	1156/1157	0.72W		DC 12V/24V	BA15S/BAU15 S/BA15D/BAY 15D/BAZ15D Lamp base available
LK-K1156-W05000-120Y-PT	Y		5	Y	600	120		0.72W		DC 12V/24V	
LK-K1156-W05000-120B-PT	B		5	B	400	120		0.72W		DC 12V/24V	
LK-K1156-W05000-120G-PT	G		5	G	2000	120		0.72W		DC 12V/24V	
LK-K1156-W05000-120W-PT	W		5	W	1500	120		0.72W		DC 12V/24V	
LK-K1156-W05000-12WW-PT	WW		5	WW	1500	120		0.72W		DC 12V/24V	
LK-K1156-W05000-12CW-PT	CW		5	CW	1500	120		0.72W		DC 12V/24V	
LK-K1156-W05000-120P-PT	P		5	P	1000	120		0.72W		DC 12V/24V	
LK-K1156-W05000-120V-PT	V		5	V	400	120		0.72W		DC 12V/24V	



Part No.	Color	LED Electronic parameters					Lamp Base	Power	Dimension	Working Voltage	Remarks
		LED type	LED QTY.	Color	mcd	Angle					
LK-K1156-J09000-120R-PT	R	4.6mm led	9	R	600	120	1156/1157	0.72W		DC 12V/24V	BA15S/BAU15 S/BA15D/BAY 15D/BAZ15D Lamp base available
LK-K1156-J09000-120Y-PT	Y		9	Y	600	120		0.72W		DC 12V/24V	
LK-K1156-J09000-120B-PT	B		9	B	400	120		0.72W		DC 12V/24V	
LK-K1156-J09000-120G-PT	G		9	G	2000	120		0.72W		DC 12V/24V	
LK-K1156-J09000-120W-PT	W		9	W	1500	120		0.72W		DC 12V/24V	
LK-K1156-J09000-12WW-PT	WW		9	WW	1500	120		0.72W		DC 12V/24V	
LK-K1156-J09000-12CW-PT	CW		9	CW	1500	120		0.72W		DC 12V/24V	
LK-K1156-J09000-120P-PT	P		9	P	1000	120		0.72W		DC 12V/24V	
LK-K1156-J09000-120V-PT	V		9	V	400	120		0.72W		DC 12V/24V	



Part No.	Color	LED Electronic parameters					Lamp Base	Power	Dimension	Working Voltage	Remarks
		LED type	LED QTY.	Color	mcd	Angle					
LK-Z7440-J09000-120R-AR	R	4.6mm led	9	R	600	120	7440/7443	1.5W		DC 12V/24V	7440/7443 Lamp base available
LK-Z7440-J09000-120Y-AY	Y		9	Y	600	120		1.5W		DC 12V/24V	
LK-Z7440-J09000-120B-AB	B		9	B	400	120		1.5W		DC 12V/24V	
LK-Z7440-J09000-120G-AG	G		9	G	2000	120		1.5W		DC 12V/24V	
LK-Z7440-J09000-120W-AW	W		9	W	1500	120		1.5W		DC 12V/24V	
LK-Z7440-J09000-12WW-AW	WW		9	WW	1500	120		1.5W		DC 12V/24V	
LK-Z7440-J09000-12CW-AW	CW		9	CW	1500	120		1.5W		DC 12V/24V	
LK-Z7440-J09000-120P-AP	P		9	P	1000	120		1.5W		DC 12V/24V	
LK-Z7440-J09000-120V-AV	V		9	V	400	120		1.5W		DC 12V/24V	



Part No.	Color	LED Electronic parameters					Lamp Base	Power	Dimension	Working Voltage	Remarks
		LED type	LED QTY.	Color	mcd	Angle					
LK-Z7440-R13000-120R-AR	R	3mm led	13	R	600	120	7440/7443	1.2W		DC 12V/24V	7440/7443 Lamp base available
LK-Z7440-R13000-120Y-AY	Y		13	Y	600	120		1.2W		DC 12V/24V	
LK-Z7440-R13000-120B-AB	B		13	B	400	120		1.2W		DC 12V/24V	
LK-Z7440-R13000-120G-AG	G		13	G	2000	120		1.2W		DC 12V/24V	
LK-Z7440-R13000-120W-AW	W		13	W	1500	120		1.2W		DC 12V/24V	
LK-Z7440-R13000-12WW-AW	WW		13	WW	1500	120		1.2W		DC 12V/24V	
LK-Z7440-R13000-12CW-AW	CW		13	CW	1500	120		1.2W		DC 12V/24V	
LK-Z7440-R13000-120P-AP	P		13	P	1000	120		1.2W		DC 12V/24V	
LK-Z7440-R13000-120V-AV	V		13	V	400	120		1.2W		DC 12V/24V	



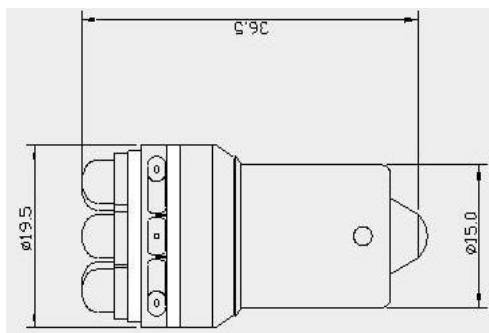
Part No.	Color	LED Electronic parameters					Lamp Base	Power	Dimension	Working Voltage	Remarks
		LED type	LED QTY.	Color	mcd	Angle					
LK-Z7440-J09R06-120R-AR	R	Φ4.6+Φ3	15	R	600	120	7440/7443	1.2W		DC 12V/24V	7440/7443 Lamp base available
LK-Z7440-J09R06-120Y-AY	Y		15	Y	600	120		1.2W		DC 12V/24V	
LK-Z7440-J09R06-120B-AB	B		15	B	400	120		1.2W		DC 12V/24V	
LK-Z7440-J09R06-120G-AG	G		15	G	2000	120		1.2W		DC 12V/24V	
LK-Z7440-J09R06-120W-AW	W		15	W	1500	120		1.2W		DC 12V/24V	
LK-Z7440-J09R06-12WW-AW	WW		15	WW	1500	120		1.2W		DC 12V/24V	
LK-Z7440-J09R06-12CW-AW	CW		15	CW	1500	120		1.2W		DC 12V/24V	
LK-Z7440-J09R06-120P-AP	P		15	P	1000	120		1.2W		DC 12V/24V	
LK-Z7440-J09R06-120V-AV	V		15	V	400	120		1.2W		DC 12V/24V	



Part No.	Color	LED Electronic parameters					Lamp Base	Power	Dimension	Working Voltage	Remarks
		LED type	LED QTY.	Color	mcd	Angle					
LK-K1156-W12000-120R-PC	R	Φ5	12	R	600	120	1156/1157	0.72W		DC 12V/24V	BA15S/BAU15 S/BA15D/BAY 15D/BAZ15D Lamp base available
LK-K1156-W12000-120Y-PC	Y		12	Y	600	120		0.72W		DC 12V/24V	
LK-K1156-W12000-120B-PC	B		12	B	400	120		0.72W		DC 12V/24V	
LK-K1156-W12000-120G-PC	G		12	G	2000	120		0.72W		DC 12V/24V	
LK-K1156-W12000-120W-PC	W		12	W	1500	120		0.72W		DC 12V/24V	
LK-K1156-W12000-12WW-PC	WW		12	WW	1500	120		0.72W		DC 12V/24V	
LK-K1156-W12000-12CW-PC	CW		12	CW	1500	120		0.72W		DC 12V/24V	
LK-K1156-W12000-120P-PC	P		12	P	1000	120		0.72W		DC 12V/24V	
LK-K1156-W12000-120V-PC	V		12	V	400	120		0.72W		DC 12V/24V	



Part No.	Color	LED Electronic parameters					Lamp Base	Power	Dimension	Working Voltage	Remarks
		LED type	LED QTY.	Color	mcd	Angle					
LK-K1156-D06506-120R-PT	R	Φ4.8+2*4*4	12	R	600	120	1156/1157	1.68W		DC 12V/24V	BA15S/BAU15 S/BA15D/BAY 15D/BAZ15D Lamp base available
LK-K1156-D06506-120Y-PT	Y		12	Y	600	120		1.68W		DC 12V/24V	
LK-K1156-D06506-120B-PT	B		12	B	400	120		1.68W		DC 12V/24V	
LK-K1156-D06506-120G-PT	G		12	G	2000	120		1.68W		DC 12V/24V	
LK-K1156-D06506-120W-PT	W		12	W	1500	120		1.68W		DC 12V/24V	
LK-K1156-D06506-12WW-PT	WW		12	WW	1500	120		1.68W		DC 12V/24V	
LK-K1156-D06506-12CW-PT	CW		12	CW	1500	120		1.68W		DC 12V/24V	
LK-K1156-D06506-120P-PT	P		12	P	1000	120		1.68W		DC 12V/24V	
LK-K1156-D06506-120V-PT	V		12	V	400	120		1.68W		DC 12V/24V	



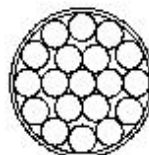
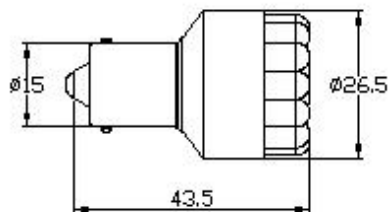
Part No.	Color	LED Electronic parameters					Lamp Base	Power	Dimension	Working Voltage	Remarks
		LED type	LED QTY.	Color	mcd	Angle					
LK-K1156-D06512-120R-PT	R	Φ4.8+2*4*4	18	R	600	120	1156/1157	1.68W		DC 12V/24V	BA15S/BAU15 S/BA15D/BAY 15D/BAZ15D Lamp base available
LK-K1156-D06512-120Y-PT	Y		18	Y	600	120		1.68W		DC 12V/24V	
LK-K1156-D06512-120B-PT	B		18	B	400	120		1.68W		DC 12V/24V	
LK-K1156-D06512-120G-PT	G		18	G	2000	120		1.68W		DC 12V/24V	
LK-K1156-D06512-120W-PT	W		18	W	1500	120		1.68W		DC 12V/24V	
LK-K1156-D06512-12WW-PT	WW		18	WW	1500	120		1.68W		DC 12V/24V	
LK-K1156-D06512-12CW-PT	CW		18	CW	1500	120		1.68W		DC 12V/24V	
LK-K1156-D06512-120P-PT	P		18	P	1000	120		1.68W		DC 12V/24V	
LK-K1156-D06512-120V-PT	V		18	V	400	120		1.68W		DC 12V/24V	



Part No.	Color	LED Electronic parameters					Lamp Base	Power	Dimension	Working Voltage	Remarks
		LED type	LED QTY.	Color	mcd	Angle					
LK-K1156-J18000-120R-PT	R	Φ 4.6	18	R	600	120	1156/1157	1.68W		DC 12V/24V	BA15S/BAU15 S/BA15D/BAY 15D/BAZ15D Lamp base available
LK-K1156-J18000-120Y-PT	Y		18	Y	600	120		1.68W		DC 12V/24V	
LK-K1156-J18000-120B-PT	B		18	B	400	120		1.68W		DC 12V/24V	
LK-K1156-J18000-120G-PT	G		18	G	2000	120		1.68W		DC 12V/24V	
LK-K1156-J18000-120W-PT	W		18	W	1500	120		1.68W		DC 12V/24V	
LK-K1156-J18000-12WW-PT	WW		18	WW	1500	120		1.68W		DC 12V/24V	
LK-K1156-J18000-12CW-PT	CW		18	CW	1500	120		1.68W		DC 12V/24V	
LK-K1156-J18000-120P-PT	P		18	P	1000	120		1.68W		DC 12V/24V	
LK-K1156-J18000-120V-PT	V		18	V	400	120		1.68W		DC 12V/24V	



Part No.	Color	LED Electronic parameters					Lamp Base	Power	Dimension	Working Voltage	Remarks
		LED type	LED QTY.	Color	mcd	Angle					
LK-K1156-J19000-120R-PT	R	Φ 4.6	19	R	600	120	1156/1157	1.68W		DC 12V/24V	BA15S/BAU15 S/BA15D/BAY 15D/BAZ15D Lamp base available
LK-K1156-J19000-120Y-PT	Y		19	Y	600	120		1.68W		DC 12V/24V	
LK-K1156-J19000-120B-PT	B		19	B	400	120		1.68W		DC 12V/24V	
LK-K1156-J19000-120G-PT	G		19	G	2000	120		1.68W		DC 12V/24V	
LK-K1156-J19000-120W-PT	W		19	W	1500	120		1.68W		DC 12V/24V	
LK-K1156-J19000-12WW-PT	WW		19	WW	1500	120		1.68W		DC 12V/24V	
LK-K1156-J19000-12CW-PT	CW		19	CW	1500	120		1.68W		DC 12V/24V	
LK-K1156-J19000-120P-PT	P		19	P	1000	120		1.68W		DC 12V/24V	
LK-K1156-J19000-120V-PT	V		19	V	400	120		1.68W		DC 12V/24V	



Part No.	Color	LED Electronic parameters					Lamp Base	Power	Dimension	Working Voltage	Remarks
		LED type	LED QTY.	Color	mcd	Angle					
LK-K1156-J24000-120R-PT	R	Φ 4.6	24	R	600	120	1156/1157	1.92W	DC 12V/24V	BA15S/BAU15 S/BA15D/BAY 15D/BAZ15D Lamp base available	
LK-K1156-J24000-120Y-PT	Y		24	Y	600	120		1.92W			
LK-K1156-J24000-120B-PT	B		24	B	400	120		1.92W			
LK-K1156-J24000-120G-PT	G		24	G	2000	120		1.92W			
LK-K1156-J24000-120W-PT	W		24	W	1500	120		1.92W			
LK-K1156-J24000-12WW-PT	WW		24	WW	1500	120		1.92W			
LK-K1156-J24000-12CW-PT	CW		24	CW	1500	120		1.92W			
LK-K1156-J24000-120P-PT	P		24	P	1000	120		1.92W			
LK-K1156-J24000-120V-PT	V		24	V	400	120		1.92W			



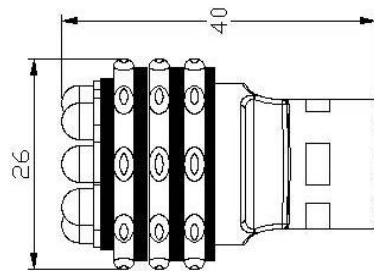
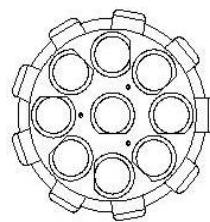
Part No.	Color	LED Electronic parameters					Lamp Base	Power	Dimension	Working Voltage	Remarks
		LED type	LED QTY.	Color	mcd	Angle					
LK-K1156-R30000-120R-PT	R	Φ 3	30	R	600	120	1156/1157	2.2W	DC 12V/24V	BA15S/BAU15 S/BA15D/BAY 15D/BAZ15D Lamp base available	
LK-K1156-R30000-120Y-PT	Y		30	Y	600	120		2.2W			
LK-K1156-R30000-120B-PT	B		30	B	400	120		2.2W			
LK-K1156-R30000-120G-PT	G		30	G	2000	120		2.2W			
LK-K1156-R30000-120W-PT	W		30	W	1500	120		2.2W			
LK-K1156-R30000-12WW-PT	WW		30	WW	1500	120		2.2W			
LK-K1156-R30000-12CW-PT	CW		30	CW	1500	120		2.2W			
LK-K1156-R30000-120P-PT	P		30	P	1000	120		2.2W			
LK-K1156-R30000-120V-PT	V		30	V	400	120		2.2W			



Part No.	Color	LED Electronic parameters					Lamp Base	Power	Dimension	Working Voltage	Remarks
		LED type	LED QTY.	Color	mcd	Angle					
LK-K1156-J31000-120R-PT	R	Φ3	31	R	600	120	1156/1157	2.64W		DC 12V/24V	BA15S/BAU15S/BA15D/BAY15D/BAZ15D Lamp base available
LK-K1156-J31000-120Y-PT	Y		31	Y	600	120		2.64W		DC 12V/24V	
LK-K1156-J31000-120B-PT	B		31	B	400	120		2.64W		DC 12V/24V	
LK-K1156-J31000-120G-PT	G		31	G	2000	120		2.64W		DC 12V/24V	
LK-K1156-J31000-120W-PT	W		31	W	1500	120		2.64W		DC 12V/24V	
LK-K1156-J31000-12WW-PT	WW		31	WW	1500	120		2.64W		DC 12V/24V	
LK-K1156-J31000-12CW-PT	CW		31	CW	1500	120		2.64W		DC 12V/24V	
LK-K1156-J31000-120P-PT	P		31	P	1000	120		2.64W		DC 12V/24V	
LK-K1156-J31000-120V-PT	V		31	V	400	120		2.64W		DC 12V/24V	



Part No.	Color	LED Electronic parameters					Lamp Base	Power	Dimension	Working Voltage	Remarks
		LED type	LED QTY.	Color	mcd	Angle					
LK-K1156-D09T27-120R-PC	R	Φ4.8+Φ3	36	R	600	120	1156/1157/ 7440/7443	2.64W		DC 12V/24V	BA15S/BAU15S/BA15D/BAY15D/BAZ15D/ 7440/7443 Lamp base available
LK-K1156-D09T27-120Y-PT	Y		36	Y	600	120		2.64W		DC 12V/24V	
LK-K1156-D09T27-120B-PT	B		36	B	400	120		2.64W		DC 12V/24V	
LK-K1156-D09T27-120G-PT	G		36	G	2000	120		2.64W		DC 12V/24V	
LK-K1156-D09T27-120W-PT	W		36	W	1500	120		2.64W		DC 12V/24V	
LK-K1156-D09T27-12WW-PT	WW		36	WW	1500	120		2.64W		DC 12V/24V	
LK-K1156-D09T27-12CW-PT	CW		36	CW	1500	120		2.64W		DC 12V/24V	
LK-K1156-D09T27-120P-PT	P		36	P	1000	120		2.64W		DC 12V/24V	
LK-K1156-D09T27-120V-PT	V		36	V	400	120		2.64W		DC 12V/24V	



Part No.	Color	LED Electronic parameters					Lamp Base	Power	Dimension	Working Voltage	Remarks
		LED type	LED QTY.	Color	mcd	Angle					
LK-K1156-D09T36-120R-PC	R	Φ4.8+Φ3	45	R	600	120	1156/1157	2.64W		DC 12V/24V	BA15S/BAU15 S/BA15D/BAY 15D/BAZ15D Lamp base available
LK-K1156-D09T36-120Y-PT	Y		45	Y	600	120		2.64W		DC 12V/24V	
LK-K1156-D09T36-120B-PT	B		45	B	400	120		2.64W		DC 12V/24V	
LK-K1156-D09T36-120G-PT	G		45	G	2000	120		2.64W		DC 12V/24V	
LK-K1156-D09T36-120W-PT	W		45	W	1500	120		2.64W		DC 12V/24V	
LK-K1156-D09T36-12WW-PT	WW		45	WW	1500	120		2.64W		DC 12V/24V	
LK-K1156-D09T36-12CW-PT	CW		45	CW	1500	120		2.64W		DC 12V/24V	
LK-K1156-D09T36-120P-PT	P		45	P	1000	120		2.64W		DC 12V/24V	
LK-K1156-D09T36-120V-PT	V		45	V	400	120		2.64W		DC 12V/24V	



Part No.	Color	LED Electronic parameters					Lamp Base	Power	Dimension	Working Voltage	Remarks
		LED type	LED QTY.	Color	mcd	Angle					
LK-K1156-D09T54-120R-PC	R	Φ4.8+Φ3	63	R	600	120	1156/1157	2.64W		DC 12V/24V	BA15S/BAU15 S/BA15D/BAY 15D/BAZ15D Lamp base available
LK-K1156-D09T54-120Y-PT	Y		63	Y	600	120		2.64W		DC 12V/24V	
LK-K1156-D09T54-120B-PT	B		63	B	400	120		2.64W		DC 12V/24V	
LK-K1156-D09T54-120G-PT	G		63	G	2000	120		2.64W		DC 12V/24V	
LK-K1156-D09T54-120W-PT	W		63	W	1500	120		2.64W		DC 12V/24V	
LK-K1156-D09T54-12WW-PT	WW		63	WW	1500	120		2.64W		DC 12V/24V	
LK-K1156-D09T54-12CW-PT	CW		63	CW	1500	120		2.64W		DC 12V/24V	
LK-K1156-D09T54-120P-PT	P		63	P	1000	120		2.64W		DC 12V/24V	
LK-K1156-D09T54-120V-PT	V		63	V	400	120		2.64W		DC 12V/24V	



Part No.	Color	LED Electronic parameters					Lamp Base	Power	Dimension	Working Voltage	Remarks
		LED type	LED QTY.	Color	mcd	Angle					
LK-Z3156-R54000-120R-AR	R	Φ3	54	R	600	120	3156/3157/ 7440/7443	4.32W		DC 12V/24V	3156/3157/7 440/7443 Lamp base available
LK-Z3156-R54000-120Y-AY	Y		54	Y	600	120		4.32W		DC 12V/24V	
LK-Z3156-R54000-120B-AB	B		54	B	400	120		4.32W		DC 12V/24V	
LK-Z3156-R54000-120G-AG	G		54	G	2000	120		4.32W		DC 12V/24V	
LK-Z3156-R54000-120W-AW	W		54	W	1500	120		4.32W		DC 12V/24V	
LK-Z3156-R54000-12WW-AW	WW		54	WW	1500	120		4.32W		DC 12V/24V	
LK-Z3156-R54000-12CW-AW	CW		54	CW	1500	120		4.32W		DC 12V/24V	
LK-Z3156-R54000-120P-AP	P		54	P	1000	120		4.32W		DC 12V/24V	
LK-Z3156-R54000-120V-AV	V		54	V	400	120		4.32W		DC 12V/24V	



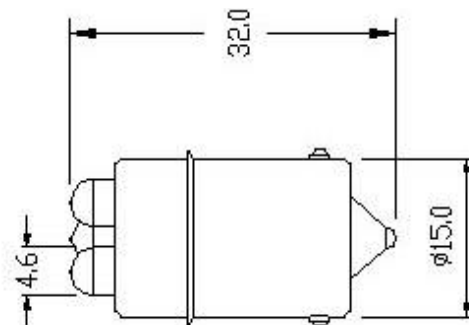
Part No.	Color	LED Electronic parameters					Lamp Base	Power	Dimension	Working Voltage	Remarks
		LED type	LED QTY.	Color	mcd	Angle					
LK-Z7440-R48000-120R-AR	R	Φ3	48	R	600	120	3156/3157/ 7440/7443	3.84W		DC 12V/24V	3156/3157/7 440/7443 Lamp base available
LK-Z7440-R48000-120Y-AY	Y		48	Y	600	120		3.84W		DC 12V/24V	
LK-Z7440-R48000-120B-AB	B		48	B	400	120		3.84W		DC 12V/24V	
LK-Z7440-R48000-120G-AG	G		48	G	2000	120		3.84W		DC 12V/24V	
LK-Z7440-R48000-120W-AW	W		48	W	1500	120		3.84W		DC 12V/24V	
LK-Z7440-R48000-12WW-AW	WW		48	WW	1500	120		3.84W		DC 12V/24V	
LK-Z7440-R48000-12CW-AW	CW		48	CW	1500	120		3.84W		DC 12V/24V	
LK-Z7440-R48000-120P-AP	P		48	P	1000	120		3.84W		DC 12V/24V	
LK-Z7440-R48000-120V-AV	V		48	V	400	120		3.84W		DC 12V/24V	



Part No.	Color	LED Electronic parameters					Lamp Base	Power	Dimension	Working Voltage	Remarks
		LED type	LED QTY.	Color	mcd	Angle					
LK-K1156-X01K10-120R-PH	R	1WHP+FISH	11	R	600	120	1156	3.4W		DC 12V/24V	BA15S/BAU15 S/BA15D/BAY 15D/BAZ15D Lamp base available
LK-K1156-X01K10-120Y-PH	Y		11	Y	600	120		3.4W		DC 12V/24V	
LK-K1156-X01K10-120B-PH	B		11	B	400	120		3.4W		DC 12V/24V	
LK-K1156-X01K10-120G-PH	G		11	G	2000	120		3.4W		DC 12V/24V	
LK-K1156-X01K10-120W-PH	W		11	W	1500	120		3.4W		DC 12V/24V	
LK-K1156-X01K10-12WW-PH	WW		11	WW	1500	120		3.4W		DC 12V/24V	
LK-K1156-X01K10-12CW-PH	CW		11	CW	1500	120		3.4W		DC 12V/24V	
LK-K1156-X01K10-120P-PH	P		11	P	1000	120		3.4W		DC 12V/24V	
LK-K1156-X01K10-120V-PH	V		11	V	400	120		3.4W		DC 12V/24V	



Part No.	Color	LED Electronic parameters					Lamp Base	Power	Dimension	Working Voltage	Remarks
		LED type	LED QTY.	Color	mcd	Angle					
LK-K1156-W03000-120R-PK	R	Φ5圆头	3	R	600	120	1156	0.24W		DC 12V/24V	BA15S/BAU15 S/BA15D/BAY 15D/BAZ15D Lamp base available
LK-K1156-W03000-120Y-PK	Y		3	Y	600	120		0.24W		DC 12V/24V	
LK-K1156-W03000-120B-PK	B		3	B	400	120		0.24W		DC 12V/24V	
LK-K1156-W03000-120G-PK	G		3	G	2000	120		0.24W		DC 12V/24V	
LK-K1156-W03000-120W-PK	W		3	W	1500	120		0.24W		DC 12V/24V	
LK-K1156-W03000-12WW-PK	WW		3	WW	1500	120		0.24W		DC 12V/24V	
LK-K1156-W03000-12CW-PK	CW		3	CW	1500	120		0.24W		DC 12V/24V	
LK-K1156-W03000-120P-PK	P		3	P	1000	120		0.24W		DC 12V/24V	
LK-K1156-W03000-120V-PK	V		3	V	400	120		0.24W		DC 12V/24V	



Part No.	Color	LED Electronic parameters					Lamp Base	Power	Dimension	Working Voltage	Remarks
		LED type	LED QTY.	Color	mcd	Angle					
LK-K1156-W05000-120R-PC	R	Φ 5	5	R	600	120	1156	0.72W		DC 12V/24V	BA15S/BAU15 S/BA15D/BAY 15D/BAZ15D Lamp base available
LK-K1156-W05000-120Y-PC	Y		5	Y	600	120		0.72W			
LK-K1156-W05000-120B-PC	B		5	B	400	120		0.72W			
LK-K1156-W05000-120G-PC	G		5	G	2000	120		0.72W			
LK-K1156-W05000-120W-PC	W		5	W	1500	120		0.72W			
LK-K1156-W05000-12WW-PC	WW		5	WW	1500	120		0.72W			
LK-K1156-W05000-12CW-PC	CW		5	CW	1500	120		0.72W			
LK-K1156-W05000-120P-PC	P		5	P	1000	120		0.72W			
LK-K1156-W05000-120V-PC	V		5	V	400	120		0.72W			

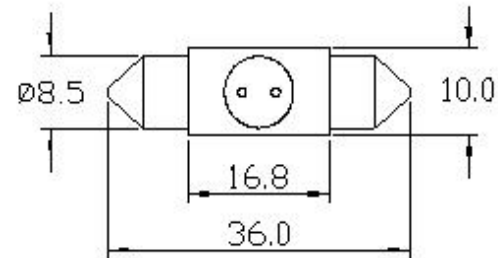


Part No.	Color	LED Electronic parameters					Lamp Base	Power	Dimension	Working Voltage	Remarks
		LED type	LED QTY.	Color	mcd	Angle					
LK-K1156-J09000-120R-PC	R	Φ 4.6	9	R	600	120	1156	0.72W		DC 12V/24V	BA15S/BAU15 S/BA15D/BAY 15D/BAZ15D Lamp base available
LK-K1156-J09000-120Y-PC	Y		9	Y	600	120		0.72W			
LK-K1156-J09000-120B-PC	B		9	B	400	120		0.72W			
LK-K1156-J09000-120G-PC	G		9	G	2000	120		0.72W			
LK-K1156-J09000-120W-PC	W		9	W	1500	120		0.72W			
LK-K1156-J09000-12WW-PC	WW		9	WW	1500	120		0.72W			
LK-K1156-J09000-12CW-PC	CW		9	CW	1500	120		0.72W			
LK-K1156-J09000-120P-PC	P		9	P	1000	120		0.72W			
LK-K1156-J09000-120V-PC	V		9	V	400	120		0.72W			

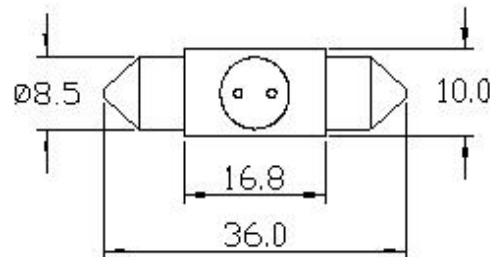


Part No.	Color	LED Electronic parameters					Lamp Base	Power	Dimension	Working Voltage	Remarks
		LED type	LED QTY.	Color	mcd	Angle					
LK-JAH010R-31XX-12	R	1W high power led	1	R	600	120	Festoon (31mm)	1W		DC 12V/24V	
LK-JAH010Y-31XX-12	Y		1	Y	600	120		1W		DC 12V/24V	
LK-JAH010B-31XX-12	B		1	B	400	120		1W		DC 12V/24V	
LK-JAH010G-31XX-12	G		1	G	2000	120		1W		DC 12V/24V	
LK-JAH010W-31XX-12	W		1	W	1500	120		1W		DC 12V/24V	
LK-JAH01WW-31XX-12	WW		1	WW	1500	120		1W		DC 12V/24V	
LK-JAH01CW-31XX-12	CW		1	CW	1500	120		1W		DC 12V/24V	
LK-JAH010P-31XX-12	P		1	P	1000	120		1W		DC 12V/24V	
LK-JAH010V-31XX-12	V		1	V	400	120		1W		DC 12V/24V	

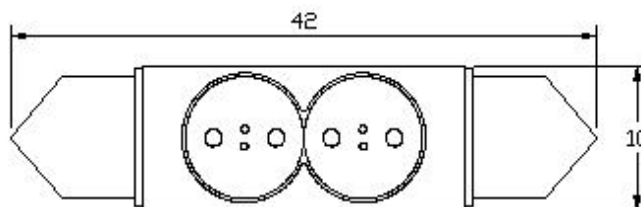
PREVER



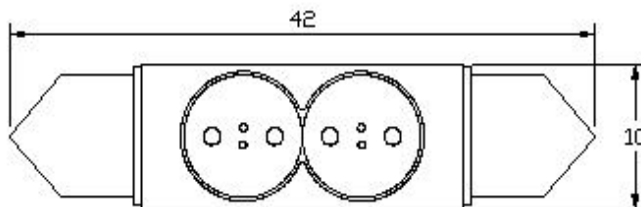
Part No.	Color	LED Electronic parameters					Lamp Base	Power	Dimension	Working Voltage	Remarks
		LED type	LED QTY.	Color	mcd	Angle					
LK-JAS010R-31XX-12	R	0.5W high power led	1	R	600	120	Festoon (31mm)	0.5W		DC 12V/24V	
LK-JAS010Y-31XX-12	Y		1	Y	600	120		0.5W		DC 12V/24V	
LK-JAS010B-31XX-12	B		1	B	400	120		0.5W		DC 12V/24V	
LK-JAS010G-31XX-12	G		1	G	2000	120		0.5W		DC 12V/24V	
LK-JAS010W-31XX-12	W		1	W	1500	120		0.5W		DC 12V/24V	
LK-JAS01WW-31XX-12	WW		1	WW	1500	120		0.5W		DC 12V/24V	
LK-JAS01CW-31XX-12	CW		1	CW	1500	120		0.5W		DC 12V/24V	
LK-JAS010P-31XX-12	P		1	P	1000	120		0.5W		DC 12V/24V	
LK-JAS010V-31XX-12	V		1	V	400	120		0.5W		DC 12V/24V	



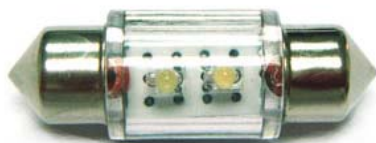
Part No.	Color	LED Electronic parameters					Lamp Base	Power	Dimension	Working Voltage	Remarks
		LED type	LED QTY.	Color	mcd	Angle					
LK-JAH020R-39XX-12	R	1W high power led	2	R	600	120	Festoon (36mm 39mm 42mm)	2W		DC 12V/24V	
LK-JAH020Y-39XX-12	Y		2	Y	600	120		2W		DC 12V/24V	
LK-JAH020B-39XX-12	B		2	B	400	120		2W		DC 12V/24V	
LK-JAH020G-39XX-12	G		2	G	2000	120		2W		DC 12V/24V	
LK-JAH020W-39XX-12	W		2	W	1500	120		2W		DC 12V/24V	
LK-JAH02WW-39XX-12	WW		2	WW	1500	120		2W		DC 12V/24V	
LK-JAH02CW-39XX-12	CW		2	CW	1500	120		2W		DC 12V/24V	
LK-JAH020P-39XX-12	P		2	P	1000	120		2W		DC 12V/24V	
LK-JAH020V-39XX-12	V		2	V	400	120		2W		DC 12V/24V	



Part No.	Color	LED Electronic parameters					Lamp Base	Power	Dimension	Working Voltage	Remarks
		LED type	LED QTY.	Color	mcd	Angle					
LK-JAS020R-39XX-12	R	0.5W high power led	2	R	600	120	Festoon (36mm 39mm 42mm)	1W		DC 12V/24V	
LK-JAS020Y-39XX-12	Y		2	Y	600	120		1W		DC 12V/24V	
LK-JAS020B-39XX-12	B		2	B	400	120		1W		DC 12V/24V	
LK-JAS020G-39XX-12	G		2	G	2000	120		1W		DC 12V/24V	
LK-JAS020W-39XX-12	W		2	W	1500	120		1W		DC 12V/24V	
LK-JAS02WW-39XX-12	WW		2	WW	1500	120		1W		DC 12V/24V	
LK-JAS02CW-39XX-12	CW		2	CW	1500	120		1W		DC 12V/24V	
LK-JAS020P-39XX-12	P		2	P	1000	120		1W		DC 12V/24V	
LK-JAS020V-39XX-12	V		2	V	400	120		1W		DC 12V/24V	



Part No.	Color	LED Electronic parameters					Lamp Base	Power	Dimension	Working Voltage	Remarks
		LED type	LED QTY.	Color	mcd	Angle					
LK-JBU020R-31XX-12	R	Φ 1.8	2	R	600	120	Festoon 211 (31mm)	0.24W		DC 12V/24V	Festoon 211 (31mm)
LK-JBU020Y-31XX-12	Y		2	Y	600	120		0.24W		DC 12V/24V	
LK-JBU020B-31XX-12	B		2	B	400	120		0.24W		DC 12V/24V	
LK-JBU020G-31XX-12	G		2	G	2000	120		0.24W		DC 12V/24V	
LK-JBU020W-31XX-12	W		2	W	1500	120		0.24W		DC 12V/24V	
LK-JBU02WW-31XX-12	WW		2	WW	1500	120		0.24W		DC 12V/24V	
LK-JBU02CW-31XX-12	CW		2	CW	1500	120		0.24W		DC 12V/24V	
LK-JBU020P-31XX-12	P		2	P	1000	120		0.24W		DC 12V/24V	
LK-JBU020V-31XX-12	V		2	V	400	120		0.24W		DC 12V/24V	



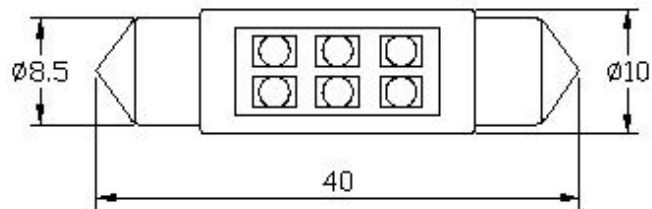
Part No.	Color	LED Electronic parameters					Lamp Base	Power	Dimension	Working Voltage	Remarks
		LED type	LED QTY.	Color	mcd	Angle					
LK-JBU030R-36XX-12	R	Φ 1.8	3	R	600	120	Festoon 211 (36mm 42mm)	0.24W		DC 12V/24V	Festoon 211 (36mm 42mm)
LK-JBU030Y-36XX-12	Y		3	Y	600	120		0.24W		DC 12V/24V	
LK-JBU030B-36XX-12	B		3	B	400	120		0.24W		DC 12V/24V	
LK-JBU030G-36XX-12	G		3	G	2000	120		0.24W		DC 12V/24V	
LK-JBU030W-36XX-12	W		3	W	1500	120		0.24W		DC 12V/24V	
LK-JBU03WW-36XX-12	WW		3	WW	1500	120		0.24W		DC 12V/24V	
LK-JBU03CW-36XX-12	CW		3	CW	1500	120		0.24W		DC 12V/24V	
LK-JBU030P-36XX-12	P		3	P	1000	120		0.24W		DC 12V/24V	
LK-JBU030V-36XX-12	V		3	V	400	120		0.24W		DC 12V/24V	



Part No.	Color	LED Electronic parameters					Lamp Base	Power	Dimension	Working Voltage	Remarks
		LED type	LED QTY.	Color	mcd	Angle					
LK-JBU040R-36XX-12	R	Φ 1.8	4	R	600	120	Festoon 211 (31mm)	0.48W		DC 12V/24V	Festoon 211 (31mm)
LK-JBU040Y-36XX-12	Y		4	Y	600	120		0.48W		DC 12V/24V	
LK-JBU040B-36XX-12	B		4	B	400	120		0.48W		DC 12V/24V	
LK-JBU040G-36XX-12	G		4	G	2000	120		0.48W		DC 12V/24V	
LK-JBU040W-36XX-12	W		4	W	1500	120		0.48W		DC 12V/24V	
LK-JBU04WW-36XX-12	WW		4	WW	1500	120		0.48W		DC 12V/24V	
LK-JBU04CW-36XX-12	CW		4	CW	1500	120		0.48W		DC 12V/24V	
LK-JBU040P-36XX-12	P		4	P	1000	120		0.48W		DC 12V/24V	
LK-JBU040V-36XX-12	V		4	V	400	120		0.48W		DC 12V/24V	



Part No.	Color	LED Electronic parameters					Lamp Base	Power	Dimension	Working Voltage	Remarks
		LED type	LED QTY.	Color	mcd	Angle					
LK-JBU060R-36XX-12	R	Φ 1.8	6	R	600	120	Festoon 211 (36mm 42mm)	0.48W		DC 12V/24V	Festoon 211 (36mm 42mm)
LK-JBU060Y-36XX-12	Y		6	Y	600	120		0.48W		DC 12V/24V	
LK-JBU060B-36XX-12	B		6	B	400	120		0.48W		DC 12V/24V	
LK-JBU060G-36XX-12	G		6	G	2000	120		0.48W		DC 12V/24V	
LK-JBU060W-36XX-12	W		6	W	1500	120		0.48W		DC 12V/24V	
LK-JBU06WW-36XX-12	WW		6	WW	1500	120		0.48W		DC 12V/24V	
LK-JBU06CW-36XX-12	CW		6	CW	1500	120		0.48W		DC 12V/24V	
LK-JBU060P-36XX-12	P		6	P	1000	120		0.48W		DC 12V/24V	
LK-JBU060V-36XX-12	V		6	V	400	120		0.48W		DC 12V/24V	



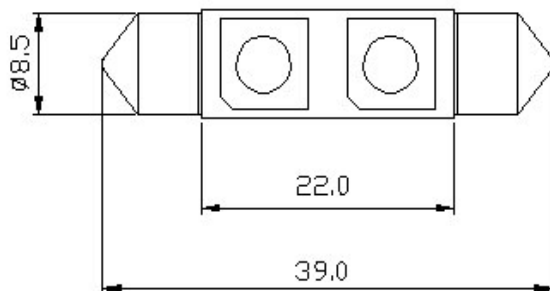
Part No.	Color	LED Electronic parameters					Lamp Base	Power	Dimension	Working Voltage	Remarks
		LED type	LED QTY.	Color	mcd	Angle					
LK-JBU080R-40XX-12	R	Φ 1.8	8	R	600	120	Festoon 211 (40mm 42mm)	0.48W		DC 12V/24V	Festoon 211 (40mm 42mm)
LK-JBU080Y-40XX-12	Y		8	Y	600	120		0.48W		DC 12V/24V	
LK-JBU080B-40XX-12	B		8	B	400	120		0.48W		DC 12V/24V	
LK-JBU080G-40XX-12	G		8	G	2000	120		0.48W		DC 12V/24V	
LK-JBU080W-40XX-12	W		8	W	1500	120		0.48W		DC 12V/24V	
LK-JBU08WW-40XX-12	WW		8	WW	1500	120		0.48W		DC 12V/24V	
LK-JBU08CW-40XX-12	CW		8	CW	1500	120		0.48W		DC 12V/24V	
LK-JBU080P-40XX-12	P		8	P	1000	120		0.48W		DC 12V/24V	
LK-JBU080V-40XX-12	V		8	V	400	120		0.48W		DC 12V/24V	



Part No.	Color	LED Electronic parameters					Lamp Base	Power	Dimension	Working Voltage	Remarks
		LED type	LED QTY.	Color	mcd	Angle					
LK-JBU090R-40XX-12	R	Φ 1.8	9	R	600	120	Festoon 211 (40mm 42mm)	0.48W		DC 12V/24V	Festoon 211 (40mm 42mm)
LK-JBU090Y-40XX-12	Y		9	Y	600	120		0.48W		DC 12V/24V	
LK-JBU090B-40XX-12	B		9	B	400	120		0.48W		DC 12V/24V	
LK-JBU090G-40XX-12	G		9	G	2000	120		0.48W		DC 12V/24V	
LK-JBU090W-40XX-12	W		9	W	1500	120		0.48W		DC 12V/24V	
LK-JBU09WW-40XX-12	WW		9	WW	1500	120		0.48W		DC 12V/24V	
LK-JBU09CW-40XX-12	CW		9	CW	1500	120		0.48W		DC 12V/24V	
LK-JBU090P-40XX-12	P		9	P	1000	120		0.48W		DC 12V/24V	
LK-JBU090V-40XX-12	V		9	V	400	120		0.48W		DC 12V/24V	



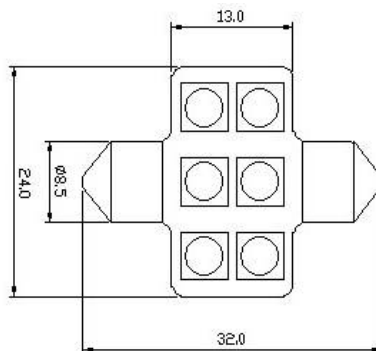
Part No.	Color	LED Electronic parameters					Lamp Base	Power	Dimension	Working Voltage	Remarks
		LED type	LED QTY.	Color	mcd	Angle					
LK-JAY020R-39XX-12	R	round piranha led	2	R	600	120	Festoon 211 (40mm)	1W		DC 12V/24V	Festoon 211 (40mm)
LK-JAY020Y-39XX-12	Y		2	Y	600	120		1W		DC 12V/24V	
LK-JAY020B-39XX-12	B		2	B	400	120		1W		DC 12V/24V	
LK-JAY020G-39XX-12	G		2	G	2000	120		1W		DC 12V/24V	
LK-JAY020W-39XX-12	W		2	W	1500	120		1W		DC 12V/24V	
LK-JAY020WW-39XX-12	WW		2	WW	1500	120		1W		DC 12V/24V	
LK-JAY020CW-39XX-12	CW		2	CW	1500	120		1W		DC 12V/24V	
LK-JAY020P-39XX-12	P		2	P	1000	120		1W		DC 12V/24V	
LK-JAY020V-39XX-12	V		2	V	400	120		1W		DC 12V/24V	



Part No.	Color	LED Electronic parameters					Lamp Base	Power	Dimension	Working Voltage	Remarks
		LED type	LED QTY.	Color	mcd	Angle					
LK-JAY040R-36XX-12	R	round piranha led	4	R	600	120	Festoon 211 (36mm)	0.48W		DC 12V/24V	Festoon 211 (36mm)
LK-JAY040Y-36XX-12	Y		4	Y	600	120		0.48W		DC 12V/24V	
LK-JAY040B-36XX-12	B		4	B	400	120		0.48W		DC 12V/24V	
LK-JAY040G-36XX-12	G		4	G	2000	120		0.48W		DC 12V/24V	
LK-JAY040W-36XX-12	W		4	W	1500	120		0.48W		DC 12V/24V	
LK-JAY040WW-36XX-12	WW		4	WW	1500	120		0.48W		DC 12V/24V	
LK-JAY040CW-36XX-12	CW		4	CW	1500	120		0.48W		DC 12V/24V	
LK-JAY040P-36XX-12	P		4	P	1000	120		0.48W		DC 12V/24V	
LK-JAY040V-36XX-12	V		4	V	400	120		0.48W		DC 12V/24V	



Part No.	Color	LED Electronic parameters					Lamp Base	Power	Dimension	Working Voltage	Remarks
		LED type	LED QTY.	Color	mcd	Angle					
LK-JAY060R-3625-12	R	round piranha led	6	R	600	120	Festoon 211 (36mm)	0.48W		DC 12V/24V	Festoon 211 (36mm)
LK-JAY060Y-3625-12	Y		6	Y	600	120		0.48W		DC 12V/24V	
LK-JAY060B-3625-12	B		6	B	400	120		0.48W		DC 12V/24V	
LK-JAY060G-3625-12	G		6	G	2000	120		0.48W		DC 12V/24V	
LK-JAY060W-3625-12	W		6	W	1500	120		0.48W		DC 12V/24V	
LK-JAY06WW-3625-12	WW		6	WW	1500	120		0.48W		DC 12V/24V	
LK-JAY06CW-3625-12	CW		6	CW	1500	120		0.48W		DC 12V/24V	
LK-JAY060P-3625-12	P		6	P	1000	120		0.48W		DC 12V/24V	
LK-JAY060V-3625-12	V		6	V	400	120		0.48W		DC 12V/24V	



Part No.	Color	LED Electronic parameters					Lamp Base	Power	Dimension	Working Voltage	Remarks
		LED type	LED QTY.	Color	mcd	Angle					
LK-JAY060R-4216-12	R	round piranha led	6	R	600	120	Festoon 211 (42mm)	0.48W		DC 12V/24V	Festoon 211 (42mm)
LK-JAY060Y-4216-12	Y		6	Y	600	120		0.48W		DC 12V/24V	
LK-JAY060B-4216-12	B		6	B	400	120		0.48W		DC 12V/24V	
LK-JAY060G-4216-12	G		6	G	2000	120		0.48W		DC 12V/24V	
LK-JAY060W-4216-12	W		6	W	1500	120		0.48W		DC 12V/24V	
LK-JAY06WW-4216-12	WW		6	WW	1500	120		0.48W		DC 12V/24V	
LK-JAY06CW-4216-12	CW		6	CW	1500	120		0.48W		DC 12V/24V	
LK-JAY060P-4216-12	P		6	P	1000	120		0.48W		DC 12V/24V	
LK-JAY060V-4216-12	V		6	V	400	120		0.48W		DC 12V/24V	



Part No.	Color	LED Electronic parameters					Lamp Base	Power	Dimension	Working Voltage	Remarks
		LED type	LED QTY.	Color	mcd	Angle					
LK-JBB010R-31XX-12	R	5050SMD	1	R	600	120	Festoon 211 (31mm)	0.24W		DC 12V/24V	Festoon 211 (31mm)
LK-JBB010Y-31XX-12	Y		1	Y	600	120		0.24W		DC 12V/24V	
LK-JBB010B-31XX-12	B		1	B	400	120		0.24W		DC 12V/24V	
LK-JBB010G-31XX-12	G		1	G	2000	120		0.24W		DC 12V/24V	
LK-JBB010W-31XX-12	W		1	W	1500	120		0.24W		DC 12V/24V	
LK-JBB01WW-31XX-12	WW		1	WW	1500	120		0.24W		DC 12V/24V	
LK-JBB01CW-31XX-12	CW		1	CW	1500	120		0.24W		DC 12V/24V	
LK-JBB010P-31XX-12	P		1	P	1000	120		0.24W		DC 12V/24V	
LK-JBB010V-31XX-12	V		1	V	400	120		0.24W		DC 12V/24V	



Part No.	Color	LED Electronic parameters					Lamp Base	Power	Dimension	Working Voltage	Remarks
		LED type	LED QTY.	Color	mcd	Angle					
LK-JBB020R-36XX-12	R	5050SMD	2	R	600	120	Festoon 211 (31mm 36mm)	0.48W		DC 12V/24V	Festoon 211 (31mm 36mm)
LK-JBB020Y-36XX-12	Y		2	Y	600	120		0.48W		DC 12V/24V	
LK-JBB020B-36XX-12	B		2	B	400	120		0.48W		DC 12V/24V	
LK-JBB020G-36XX-12	G		2	G	2000	120		0.48W		DC 12V/24V	
LK-JBB020W-36XX-12	W		2	W	1500	120		0.48W		DC 12V/24V	
LK-JBB02WW-36XX-12	WW		2	WW	1500	120		0.48W		DC 12V/24V	
LK-JBB02CW-36XX-12	CW		2	CW	1500	120		0.48W		DC 12V/24V	
LK-JBB020P-36XX-12	P		2	P	1000	120		0.48W		DC 12V/24V	
LK-JBB020V-36XX-12	V		2	V	400	120		0.48W		DC 12V/24V	



Part No.	Color	LED Electronic parameters					Lamp Base	Power	Dimension	Working Voltage	Remarks
		LED type	LED QTY.	Color	mcd	Angle					
LK-JAB040R-36XX-12	R	5050SMD	4	R	600	120	Festoon 211 (36mm)	0.96W		DC 12V/24V	Festoon 211 (36mm)
LK-JAB040Y-36XX-12	Y		4	Y	600	120		0.96W		DC 12V/24V	
LK-JAB040B-36XX-12	B		4	B	400	120		0.96W		DC 12V/24V	
LK-JAB040G-36XX-12	G		4	G	2000	120		0.96W		DC 12V/24V	
LK-JAB040W-36XX-12	W		4	W	1500	120		0.96W		DC 12V/24V	
LK-JAB04WW-36XX-12	WW		4	WW	1500	120		0.96W		DC 12V/24V	
LK-JAB04CW-36XX-12	CW		4	CW	1500	120		0.96W		DC 12V/24V	
LK-JAB04P-36XX-12	P		4	P	1000	120		0.96W		DC 12V/24V	
LK-JAB04V-36XX-12	V		4	V	400	120		0.96W		DC 12V/24V	



Part No.	Color	LED Electronic parameters					Lamp Base	Power	Dimension	Working Voltage	Remarks
		LED type	LED QTY.	Color	mcd	Angle					
LK-JBB030R-40XX-12	R	5050SMD	3	R	600	120	Festoon 211 (39mm)	0.72W		DC 12V/24V	Festoon 211 (39mm)
LK-JBB030Y-40XX-12	Y		3	Y	600	120		0.72W		DC 12V/24V	
LK-JBB030B-40XX-12	B		3	B	400	120		0.72W		DC 12V/24V	
LK-JBB030G-40XX-12	G		3	G	2000	120		0.72W		DC 12V/24V	
LK-JBB030W-40XX-12	W		3	W	1500	120		0.72W		DC 12V/24V	
LK-JBB03WW-40XX-12	WW		3	WW	1500	120		0.72W		DC 12V/24V	
LK-JBB03CW-40XX-12	CW		3	CW	1500	120		0.72W		DC 12V/24V	
LK-JBB03P-40XX-12	P		3	P	1000	120		0.72W		DC 12V/24V	
LK-JBB03V-40XX-12	V		3	V	400	120		0.72W		DC 12V/24V	



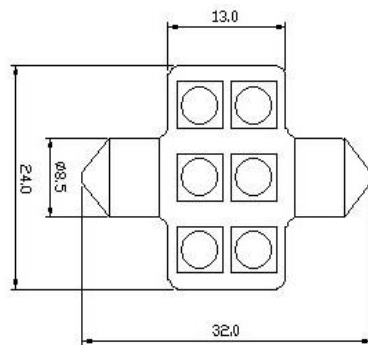
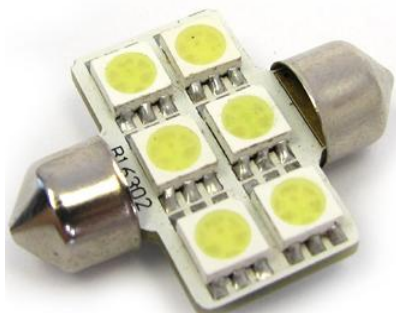
Part No.	Color	LED Electronic parameters					Lamp Base	Power	Dimension	Working Voltage	Remarks
		LED type	LED QTY.	Color	mcd	Angle					
LK-JAA060R-36XX-12	R	3528SMD	6	R	600	120	Festoon 211 (31mm)	0.72W		DC 12V/24V	Festoon 211 (31mm)
LK-JAA060Y-40XX-12	Y		6	Y	600	120		0.72W		DC 12V/24V	
LK-JAA060B-40XX-12	B		6	B	400	120		0.72W		DC 12V/24V	
LK-JAA060G-40XX-12	G		6	G	2000	120		0.72W		DC 12V/24V	
LK-JAA060W-40XX-12	W		6	W	1500	120		0.72W		DC 12V/24V	
LK-JAA06WW-40XX-12	WW		6	WW	1500	120		0.72W		DC 12V/24V	
LK-JAA06CW-40XX-12	CW		6	CW	1500	120		0.72W		DC 12V/24V	
LK-JAA060P-40XX-12	P		6	P	1000	120		0.72W		DC 12V/24V	
LK-JAA060V-40XX-12	V		6	V	400	120		0.72W		DC 12V/24V	



Part No.	Color	LED Electronic parameters					Lamp Base	Power	Dimension	Working Voltage	Remarks
		LED type	LED QTY.	Color	mcd	Angle					
LK-JAA080Y-36XX-12	R	3528SMD	8	R	600	120	Festoon 211 (40mm 42mm)	0.96W		DC 12V/24V	Festoon 211 (40mm 42mm)
LK-JAA080Y-36XX-12	Y		8	Y	600	120		0.96W		DC 12V/24V	
LK-JAA080B-36XX-12	B		8	B	400	120		0.96W		DC 12V/24V	
LK-JAA080G-36XX-12	G		8	G	2000	120		0.96W		DC 12V/24V	
LK-JAA080W-36XX-12	W		8	W	1500	120		0.96W		DC 12V/24V	
LK-JAA08WW-36XX-12	WW		8	WW	1500	120		0.96W		DC 12V/24V	
LK-JAA08CW-36XX-12	CW		8	CW	1500	120		0.96W		DC 12V/24V	
LK-JAA080P-36XX-12	P		8	P	1000	120		0.96W		DC 12V/24V	
LK-JAA080V-36XX-12	V		8	V	400	120		0.96W		DC 12V/24V	



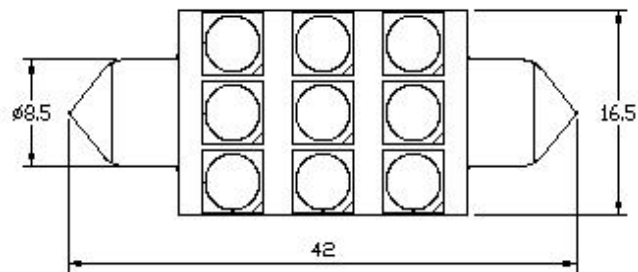
Part No.	Color	LED Electronic parameters					Lamp Base	Power	Dimension	Working Voltage	Remarks
		LED type	LED QTY.	Color	mcd	Angle					
LK-JAB060R-4025-12	R	5050SMD	6	R	600	120	Festoon 211 (31mm)	0.9W		DC 12V/24V	Festoon 211 (31mm)
LK-JAB060Y-4025-12	Y		6	Y	600	120		0.9W		DC 12V/24V	
LK-JAB060B-4025-12	B		6	B	400	120		0.9W		DC 12V/24V	
LK-JAB060G-4025-12	G		6	G	2000	120		0.9W		DC 12V/24V	
LK-JAB060W-4025-12	W		6	W	1500	120		0.9W		DC 12V/24V	
LK-JAB06WW-4025-12	WW		6	WW	1500	120		0.9W		DC 12V/24V	
LK-JAB06CW-4025-12	CW		6	CW	1500	120		0.9W		DC 12V/24V	
LK-JAB060P-4025-12	P		6	P	1000	120		0.9W		DC 12V/24V	
LK-JAB060V-4025-12	V		6	V	400	120		0.9W		DC 12V/24V	



Part No.	Color	LED Electronic parameters					Lamp Base	Power	Dimension	Working Voltage	Remarks
		LED type	LED QTY.	Color	mcd	Angle					
LK-JAB060R-4025-12	R	5050SMD	6	R	600	120	Festoon 211 (36mm)	0.9W		DC 12V/24V	Festoon 211 (36mm)
LK-JAB060Y-4025-12	Y		6	Y	600	120		0.9W		DC 12V/24V	
LK-JAB060B-4025-12	B		6	B	400	120		0.9W		DC 12V/24V	
LK-JAB060G-4025-12	G		6	G	2000	120		0.9W		DC 12V/24V	
LK-JAB060W-4025-12	W		6	W	1500	120		0.9W		DC 12V/24V	
LK-JAB06WW-4025-12	WW		6	WW	1500	120		0.9W		DC 12V/24V	
LK-JAB06CW-4025-12	CW		6	CW	1500	120		0.9W		DC 12V/24V	
LK-JAB060P-4025-12	P		6	P	1000	120		0.9W		DC 12V/24V	
LK-JAB060V-4025-12	V		6	V	400	120		0.9W		DC 12V/24V	



Part No.	Color	LED Electronic parameters					Lamp Base	Power	Dimension	Working Voltage	Remarks
		LED type	LED QTY.	Color	mcd	Angle					
LK-JAB090R-4022-12	R	5050SMD	9	R	600	120	Festoon 211 (40mm 42mm)	2.16W		DC 12V/24V	Festoon 211 (40mm 42mm)
LK-JAB090Y-4022-12	Y		9	Y	600	120		2.16W		DC 12V/24V	
LK-JAB090B-4022-12	B		9	B	400	120		2.16W		DC 12V/24V	
LK-JAB090G-4022-12	G		9	G	2000	120		2.16W		DC 12V/24V	
LK-JAB090W-4022-12	W		9	W	1500	120		2.16W		DC 12V/24V	
LK-JAB090WW-4022-12	WW		9	WW	1500	120		2.16W		DC 12V/24V	
LK-JAB090CW-4022-12	CW		9	CW	1500	120		2.16W		DC 12V/24V	
LK-JAB090P-4022-12	P		9	P	1000	120		2.16W		DC 12V/24V	
LK-JAB090V-4022-12	V		9	V	400	120		2.16W		DC 12V/24V	



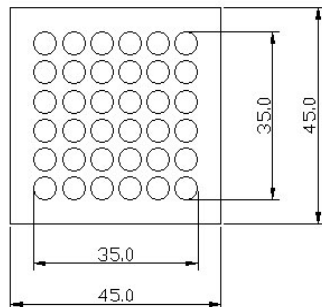
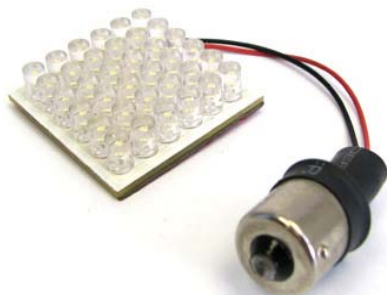
Part No.	Color	LED Electronic parameters					Lamp Base	Power	Dimension	Working Voltage	Remarks
		LED type	LED QTY.	Color	mcd	Angle					
LK-JCB030R-31XX-12	R	5050SMD	3	R	600	120	Festoon 211 (31mm)	0.72W		DC 12V/24V	Festoon 211 (31mm)
LK-JCB030Y-31XX-12	Y		3	Y	600	120		0.72W		DC 12V/24V	
LK-JCB030B-31XX-12	B		3	B	400	120		0.72W		DC 12V/24V	
LK-JCB030G-31XX-12	G		3	G	2000	120		0.72W		DC 12V/24V	
LK-JCB030W-31XX-12	W		3	W	1500	120		0.72W		DC 12V/24V	
LK-JCB030WW-31XX-12	WW		3	WW	1500	120		0.72W		DC 12V/24V	
LK-JCB030CW-31XX-12	CW		3	CW	1500	120		0.72W		DC 12V/24V	
LK-JCB030P-31XX-12	P		3	P	1000	120		0.72W		DC 12V/24V	
LK-JCB030V-31XX-12	V		3	V	400	120		0.72W		DC 12V/24V	



Part No.	Color	LED Electronic parameters					Lamp Base	Power	Dimension	Working Voltage	Remarks
		LED type	LED QTY.	Color	mcd	Angle					
LK-PQ0250R-3838-12	R	Φ 5	25	R	600	120	as required	38*38	DC 12V/24V	1156/1157/ T10/BA9S/ festoon Lamp base available	
LK-PQ0250Y-3838-12	Y		25	Y	600	120					
LK-PQ0250B-3838-12	B		25	B	400	120					
LK-PQ0250G-3838-12	G		25	G	2000	120					
LK-PQ0250W-3838-12	W		25	W	1500	120					
LK-PQ025WW-3838-12	WW		25	WW	1500	120					
LK-PQ025CW-3838-12	CW		25	CW	1500	120					
LK-PQ0250P-3838-12	P		25	P	1000	120					
LK-PQ0250V-3838-12	V		25	V	400	120					



Part No.	Color	LED Electronic parameters					Lamp Base	Power	Dimension	Working Voltage	Remarks
		LED type	LED QTY.	Color	mcd	Angle					
LK-PQ0360R-4040-12	R	Φ 5	36	R	600	120	as required	40*40	DC 12V/24V	1156/1157/ T10/BA9S/ festoon Lamp base available	
LK-PQ0360Y-4040-12	Y		36	Y	600	120					
LK-PQ0360B-4040-12	B		36	B	400	120					
LK-PQ0360G-4040-12	G		36	G	2000	120					
LK-PQ0360W-4040-12	W		36	W	1500	120					
LK-PQ036WW-4040-12	WW		36	WW	1500	120					
LK-PQ036CW-4040-12	CW		36	CW	1500	120					
LK-PQ0360P-4040-12	P		36	P	1000	120					
LK-PQ0360V-4040-12	V		36	V	400	120					



Part No.	Color	LED Electronic parameters					Lamp Base	Power	Dimension	Working Voltage	Remarks
		LED type	LED QTY.	Color	mcd	Angle					
LK-PQ0420R-5040-12	R	Φ5	42	R	600	120	as required	50*40	DC 12V/24V	1156/1157/ T10/BA9S/ festoon Lamp base available	
LK-PQ0420Y-5040-12	Y		42	Y	600	120					
LK-PQ0420B-5040-12	B		42	B	400	120					
LK-PQ0420G-5040-12	G		42	G	2000	120					
LK-PQ0420W-5040-12	W		42	W	1500	120					
LK-PQ0420WW-5040-12	WW		42	WW	1500	120					
LK-PQ0420CW-5040-12	CW		42	CW	1500	120					
LK-PQ0420P-5040-12	P		42	P	1000	120					
LK-PQ0420V-5040-12	V		42	V	400	120					



Part No.	Color	LED Electronic parameters					Lamp Base	Power	Dimension	Working Voltage	Remarks
		LED type	LED QTY.	Color	mcd	Angle					
LK-PK0060R-2617-12	R	FISH	6	R	600	120	as required	26*17	DC 12V/24V	1156/1157/ T10/BA9S/ festoon Lamp base available	
LK-PK0060Y-2617-12	Y		6	Y	600	120					
LK-PK0060B-2617-12	B		6	B	400	120					
LK-PK0060G-2617-12	G		6	G	2000	120					
LK-PK0060W-2617-12	W		6	W	1500	120					
LK-PK0060WW-2617-12	WW		6	WW	1500	120					
LK-PK0060CW-2617-12	CW		6	CW	1500	120					
LK-PK0060P-2617-12	P		6	P	1000	120					
LK-PK0060V-2617-12	V		6	V	400	120					



Part No.	Color	LED Electronic parameters					Lamp Base	Power	Dimension	Working Voltage	Remarks
		LED type	LED QTY.	Color	mcd	Angle					
LK-PK0080R-3418-12	R	FISH	8	R	600	120	as required	34*18	DC 12V/24V	1156/1157/ T10/BA9S/ festoon Lamp base available	
LK-PK0080Y-3418-12	Y		8	Y	600	120					0.72W
LK-PK0080B-3418-12	B		8	B	400	120					0.72W
LK-PK0080G-3418-12	G		8	G	2000	120					0.72W
LK-PK0080W-3418-12	W		8	W	1500	120					0.72W
LK-PK0080WW-3418-12	WW		8	WW	1500	120					0.72W
LK-PK0080CW-3418-12	CW		8	CW	1500	120					0.72W
LK-PK0080P-3418-12	P		8	P	1000	120					0.72W
LK-PK0080V-3418-12	V		8	V	400	120					0.72W



Part No.	Color	LED Electronic parameters					Lamp Base	Power	Dimension	Working Voltage	Remarks
		LED type	LED QTY.	Color	mcd	Angle					
LK-PK0100R-4122-12	R	FISH	10	R	600	120	as required	41*22	DC 12V/24V	1156/1157/ T10/BA9S/ festoon Lamp base available	
LK-PK0100Y-4122-12	Y		10	Y	600	120					0.96W
LK-PK0100B-4122-12	B		10	B	400	120					0.96W
LK-PK0100G-4122-12	G		10	G	2000	120					0.96W
LK-PK0100W-4122-12	W		10	W	1500	120					0.96W
LK-PK0100WW-4122-12	WW		10	WW	1500	120					0.96W
LK-PK0100CW-4122-12	CW		10	CW	1500	120					0.96W
LK-PK0100P-4122-12	P		10	P	1000	120					0.96W
LK-PK0100V-4122-12	V		10	V	400	120					0.96W



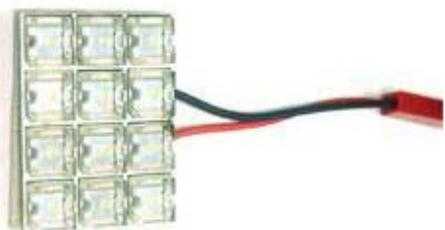
Part No.	Color	LED Electronic parameters					Lamp Base	Power	Dimension	Working Voltage	Remarks
		LED type	LED QTY.	Color	mcd	Angle					
LK-PK0120R-3526-12	R	FISH	12	R	600	120	as required	35*26	DC 12V/24V	1156/1157/ T10/BA9S/ festoon Lamp base available	
LK-PK0120Y-3526-12	Y		12	Y	600	120					0.96W
LK-PK0120B-3526-12	B		12	B	400	120					0.96W
LK-PK0120G-3526-12	G		12	G	2000	120					0.96W
LK-PK0120W-3526-12	W		12	W	1500	120					0.96W
LK-PK0120WW-3526-12	WW		12	WW	1500	120					0.96W
LK-PK0120CW-3526-12	CW		12	CW	1500	120					0.96W
LK-PK0120P-3526-12	P		12	P	1000	120					0.96W
LK-PK0120V-3526-12	V		12	V	400	120					0.96W



Part No.	Color	LED Electronic parameters					Lamp Base	Power	Dimension	Working Voltage	Remarks
		LED type	LED QTY.	Color	mcd	Angle					
LK-PK0120R-6020-12	R	FISH	12	R	600	120	as required	60*20	DC 12V/24V	1156/1157/ T10/BA9S/ festoon Lamp base available	
LK-PK0120Y-6020-12	Y		12	Y	600	120					0.96W
LK-PK0120B-6020-12	B		12	B	400	120					0.96W
LK-PK0120G-6020-12	G		12	G	2000	120					0.96W
LK-PK0120W-6020-12	W		12	W	1500	120					0.96W
LK-PK0120WW-6020-12	WW		12	WW	1500	120					0.96W
LK-PK0120CW-6020-12	CW		12	CW	1500	120					0.96W
LK-PK0120P-6020-12	P		12	P	1000	120					0.96W
LK-PK0120V-6020-12	V		12	V	400	120					0.96W



Part No.	Color	LED Electronic parameters					Lamp Base	Power	Dimension	Working Voltage	Remarks
		LED type	LED QTY.	Color	mcd	Angle					
LK-PK0120R-3426-12	R	FISH	12	R	600	120	as required	34*26	DC 12V/24V	1156/1157/ T10/BA9S/ festoon Lamp base available	
LK-PK0120Y-3426-12	Y		12	Y	600	120			DC 12V/24V		
LK-PK0120B-3426-12	B		12	B	400	120			DC 12V/24V		
LK-PK0120G-3426-12	G		12	G	2000	120			DC 12V/24V		
LK-PK0120W-3426-12	W		12	W	1500	120			DC 12V/24V		
LK-PK0120WW-3426-12	WW		12	WW	1500	120			DC 12V/24V		
LK-PK0120CW-3426-12	CW		12	CW	1500	120			DC 12V/24V		
LK-PK0120P-3426-12	P		12	P	1000	120			DC 12V/24V		
LK-PK0120V-3426-12	V		12	V	400	120			DC 12V/24V		



Part No.	Color	LED Electronic parameters					Lamp Base	Power	Dimension	Working Voltage	Remarks
		LED type	LED QTY.	Color	mcd	Angle					
LK-PK0160R-4040-12	R	FISH	16	R	600	120	as required	40*40	DC 12V/24V	1156/1157/ T10/BA9S/ festoon Lamp base available	
LK-PK0160Y-4040-12	Y		16	Y	600	120			DC 12V/24V		
LK-PK0160B-4040-12	B		16	B	400	120			DC 12V/24V		
LK-PK0160G-4040-12	G		16	G	2000	120			DC 12V/24V		
LK-PK0160W-4040-12	W		16	W	1500	120			DC 12V/24V		
LK-PK0160WW-4040-12	WW		16	WW	1500	120			DC 12V/24V		
LK-PK0160CW-4040-12	CW		16	CW	1500	120			DC 12V/24V		
LK-PK0160P-4040-12	P		16	P	1000	120			DC 12V/24V		
LK-PK0160V-4040-12	V		16	V	400	120			DC 12V/24V		



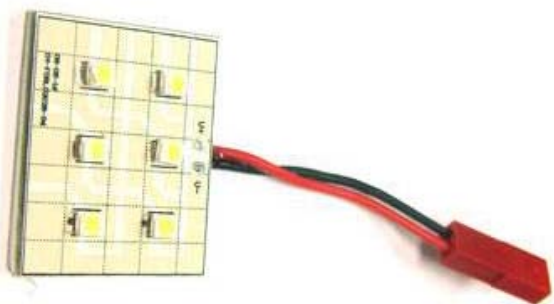
Part No.	Color	LED Electronic parameters					Lamp Base	Power	Dimension	Working Voltage	Remarks
		LED type	LED QTY.	Color	mcd	Angle					
LK-PK0200R-4233-12	R	FISH	20	R	600	120	as required	42*33	DC 12V/24V	1156/1157/ T10/BA9S/ festoon Lamp base available	
LK-PK0200Y-4233-12	Y		20	Y	600	120					
LK-PK0200B-4233-12	B		20	B	400	120					
LK-PK0200G-4233-12	G		20	G	2000	120					
LK-PK0200W-4233-12	W		20	W	1500	120					
LK-PK0200WW-4233-12	WW		20	WW	1500	120					
LK-PK0200CW-4233-12	CW		20	CW	1500	120					
LK-PK0200P-4233-12	P		20	P	1000	120					
LK-PK0200V-4233-12	V		20	V	400	120					



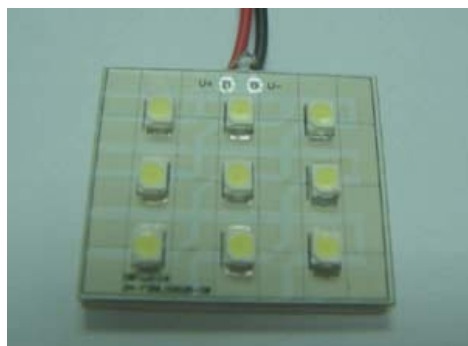
Part No.	Color	LED Electronic parameters					Lamp Base	Power	Dimension	Working Voltage	Remarks
		LED type	LED QTY.	Color	mcd	Angle					
LK-PK0240R-5034-12	R	FISH	24	R	600	120	as required	50*34	DC 12V/24V	1156/1157/ T10/BA9S/ festoon Lamp base available	
LK-PK0240Y-5034-12	Y		24	Y	600	120					
LK-PK0240B-5034-12	B		24	B	400	120					
LK-PK0240G-5034-12	G		24	G	2000	120					
LK-PK0240W-5034-12	W		24	W	1500	120					
LK-PK0240WW-5034-12	WW		24	WW	1500	120					
LK-PK0240CW-5034-12	CW		24	CW	1500	120					
LK-PK0240P-5034-12	P		24	P	1000	120					
LK-PK0240V-5034-12	V		24	V	400	120					



Part No.	Color	LED Electronic parameters					Lamp Base	Power	Dimension	Working Voltage	Remarks
		LED type	LED QTY.	Color	mcd	Angle					
LK-PA0060R-3025-12	R	3528SMD	6	R	600	120	as required	30*25	DC 12V/24V	1156/1157/ T10/BA9S/ festoon Lamp base available	
LK-PA0060Y-3025-12	Y		6	Y	600	120					
LK-PA0060B-3025-12	B		6	B	400	120					
LK-PA0060G-3025-12	G		6	G	2000	120					
LK-PA0060W-3025-12	W		6	W	1500	120					
LK-PA0060WW-3025-12	WW		6	WW	1500	120					
LK-PA0060CW-3025-12	CW		6	CW	1500	120					
LK-PA0060P-3025-12	P		6	P	1000	120					
LK-PA0060V-3025-12	V		6	V	400	120					



Part No.	Color	LED Electronic parameters					Lamp Base	Power	Dimension	Working Voltage	Remarks
		LED type	LED QTY.	Color	mcd	Angle					
LK-PA0090R-3025-12	R	3528SMD	9	R	600	120	as required	30*25	DC 12V/24V	1156/1157/ T10/BA9S/ festoon Lamp base available	
LK-PA0090Y-3025-12	Y		9	Y	600	120					
LK-PA0090B-3025-12	B		9	B	400	120					
LK-PA0090G-3025-12	G		9	G	2000	120					
LK-PA0090W-3025-12	W		9	W	1500	120					
LK-PA0090WW-3025-12	WW		9	WW	1500	120					
LK-PA0090CW-3025-12	CW		9	CW	1500	120					
LK-PA0090P-3025-12	P		9	P	1000	120					
LK-PA0090V-3025-12	V		9	V	400	120					



Part No.	Color	LED Electronic parameters					Lamp Base	Power	Dimension	Working Voltage	Remarks
		LED type	LED QTY.	Color	mcd	Angle					
LK-PA0120R-2515-12	R	3528SMD	12	R	600	120	as required	25*15	DC 12V/24V	1156/1157/ T10/BA9S/ festoon Lamp base available	
LK-PA0120Y-2515-12	Y		12	Y	600	120					
LK-PA0120B-2515-12	B		12	B	400	120					
LK-PA0120G-2515-12	G		12	G	2000	120					
LK-PA0120W-2515-12	W		12	W	1500	120					
LK-PA0120WW-2515-12	WW		12	WW	1500	120					
LK-PA0120CW-2515-12	CW		12	CW	1500	120					
LK-PA0120P-2515-12	P		12	P	1000	120					
LK-PA0120V-2515-12	V		12	V	400	120					



Part No.	Color	LED Electronic parameters					Lamp Base	Power	Dimension	Working Voltage	Remarks
		LED type	LED QTY.	Color	mcd	Angle					
LK-PA0200R-5030-12	R	3528SMD	20	R	600	120	as required	50*30	DC 12V/24V	1156/1157/ T10/BA9S/ festoon Lamp base available	
LK-PA0200Y-5030-12	Y		20	Y	600	120					
LK-PA0200B-5030-12	B		20	B	400	120					
LK-PA0200G-5030-12	G		20	G	2000	120					
LK-PA0200W-5030-12	W		20	W	1500	120					
LK-PA0200WW-5030-12	WW		20	WW	1500	120					
LK-PA0200CW-5030-12	CW		20	CW	1500	120					
LK-PA0200P-5030-12	P		20	P	1000	120					
LK-PA0200V-5030-12	V		20	V	400	120					



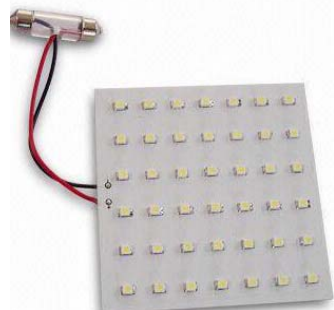
Part No.	Color	LED Electronic parameters					Lamp Base	Power	Dimension	Working Voltage	Remarks
		LED type	LED QTY.	Color	mcd	Angle					
LK-PA0240R-5030-12	R	3528SMD	24	R	600	120	as required	50*30	DC 12V/24V	1156/1157/ T10/BA9S/ festoon Lamp base available	
LK-PA0240Y-5030-12	Y		24	Y	600	120					
LK-PA0240B-5030-12	B		24	B	400	120					
LK-PA0240G-5030-12	G		24	G	2000	120					
LK-PA0240W-5030-12	W		24	W	1500	120					
LK-PA0240WW-5030-12	WW		24	WW	1500	120					
LK-PA0240CW-5030-12	CW		24	CW	1500	120					
LK-PA0240P-5030-12	P		24	P	1000	120					
LK-PA0240V-5030-12	V		24	V	400	120					



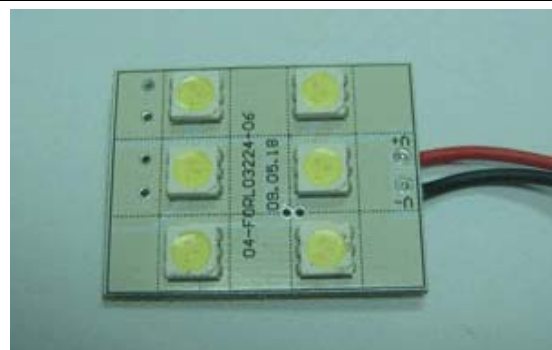
Part No.	Color	LED Electronic parameters					Lamp Base	Power	Dimension	Working Voltage	Remarks
		LED type	LED QTY.	Color	mcd	Angle					
LK-PA0360R-3924-12	R	3528SMD	36	R	600	120	as required		DC 12V/24V	1156/1157/ T10/BA9S/ festoon Lamp base available	
LK-PA0360Y-3924-12	Y		36	Y	600	120					
LK-PA0360B-3924-12	B		36	B	400	120					
LK-PA0360G-3924-12	G		36	G	2000	120					
LK-PA0360W-3924-12	W		36	W	1500	120					
LK-PA0360WW-3924-12	WW		36	WW	1500	120					
LK-PA0360CW-3924-12	CW		36	CW	1500	120					
LK-PA0360P-3924-12	P		36	P	1000	120					
LK-PA0360V-3924-12	V		36	V	400	120					



Part No.	Color	LED Electronic parameters					Lamp Base	Power	Dimension	Working Voltage	Remarks
		LED type	LED QTY.	Color	mcd	Angle					
LK-PA0420R-8080-12	R	3528SMD	24	R	600	120	as required	80*80	DC 12V/24V	1156/1157/ T10/BA9S/ festoon Lamp base available	
LK-PA0420Y-8080-12	Y		24	Y	600	120					
LK-PA0420B-8080-12	B		24	B	400	120					
LK-PA0420G-8080-12	G		24	G	2000	120					
LK-PA0420W-8080-12	W		24	W	1500	120					
LK-PA0420WW-8080-12	WW		24	WW	1500	120					
LK-PA0420CW-8080-12	CW		24	CW	1500	120					
LK-PA0420P-8080-12	P		24	P	1000	120					
LK-PA0420V-8080-12	V		24	V	400	120					



Part No.	Color	LED Electronic parameters					Lamp Base	Power	Dimension	Working Voltage	Remarks
		LED type	LED QTY.	Color	mcd	Angle					
LK-PB0060R-3224-12	R	5050SMD	6	R	600	120	as required	32*24	DC 12V/24V	1156/1157/ T10/BA9S/ festoon Lamp base available	
LK-PB0060Y-3224-12	Y		6	Y	600	120					
LK-PB0060B-3224-12	B		6	B	400	120					
LK-PB0060G-3224-12	G		6	G	2000	120					
LK-PB0060W-3224-12	W		6	W	1500	120					
LK-PB0060WW-3224-12	WW		6	WW	1500	120					
LK-PB0060CW-3224-12	CW		6	CW	1500	120					
LK-PB0060P-3224-12	P		6	P	1000	120					
LK-PB0060V-3224-12	V		6	V	400	120					



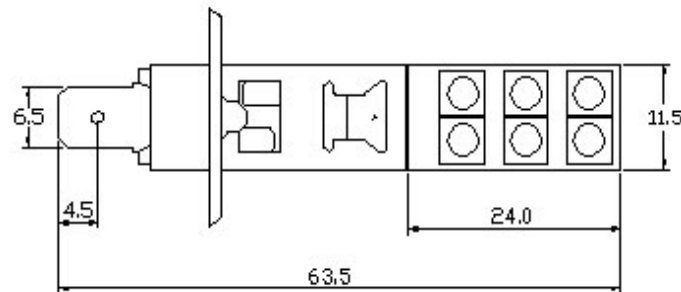
Part No.	Color	LED Electronic parameters					Lamp Base	Power	Dimension	Working Voltage	Remarks
		LED type	LED QTY.	Color	mcd	Angle					
LK-PB0090R-3224-12	R	5050SMD	9	R	600	120	as required	32*24	DC 12V/24V	1156/1157/ T10/BA9S/ festoon Lamp base available	
LK-PB0090Y-3224-12	Y		9	Y	600	120					
LK-PB0090B-3224-12	B		9	B	400	120					
LK-PB0090G-3224-12	G		9	G	2000	120					
LK-PB0090W-3224-12	W		9	W	1500	120					
LK-PB0090WW-3224-12	WW		9	WW	1500	120					
LK-PB0090CW-3224-12	CW		9	CW	1500	120					
LK-PB0090P-3224-12	P		9	P	1000	120					
LK-PB0090V-3224-12	V		9	V	400	120					



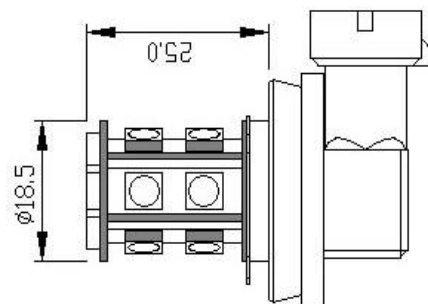
Part No.	Color	LED Electronic parameters					Lamp Base	Power	Dimension	Working Voltage	Remarks
		LED type	LED QTY.	Color	mcd	Angle					
LK-PB0120R-4024-12	R	5050SMD	12	R	600	120	as required	40*24	DC 12V/24V	1156/1157/ T10/BA9S/ festoon Lamp base available	
LK-PB0120Y-4024-12	Y		12	Y	600	120					
LK-PB0120B-4024-12	B		12	B	400	120					
LK-PB0120G-4024-12	G		12	G	2000	120					
LK-PB0120W-4024-12	W		12	W	1500	120					
LK-PB0120WW-4024-12	WW		12	WW	1500	120					
LK-PB0120CW-4024-12	CW		12	CW	1500	120					
LK-PB0120P-4024-12	P		12	P	1000	120					
LK-PB0120V-4024-12	V		12	V	400	120					



Part No.	Color	LED Electronic parameters					Lamp Base	Power	Dimension	Working Voltage	Remarks
		LED type	LED QTY.	Color	mcd	Angle					
LK-Z00H1-B12000-120R-A0	R	5050SMD	12	R	600	120	H1	2.88W		DC 12V/24V	H1/H3 Lamp base available
LK-Z00H1-B12000-120Y-A0	Y		12	Y	600	120		2.88W		DC 12V/24V	
LK-Z00H1-B12000-120B-A0	A		12	A	400	120		2.88W		DC 12V/24V	
LK-Z00H1-B12000-120G-A0	G		12	G	2000	120		2.88W		DC 12V/24V	
LK-Z00H1-B12000-120W-A0	W		12	W	1500	120		2.88W		DC 12V/24V	
LK-Z00H1-B12000-12WW-A0	WW		12	WW	1500	120		2.88W		DC 12V/24V	
LK-Z00H1-B12000-12CW-A0	CW		12	CW	1500	120		2.88W		DC 12V/24V	
LK-Z00H1-B12000-120P-A0	P		12	P	1000	120		2.88W		DC 12V/24V	
LK-Z00H1-B12000-120V-A0	V		12	V	400	120		2.88W		DC 12V/24V	



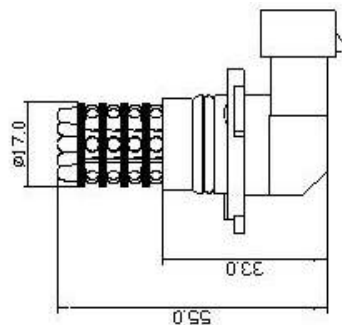
Part No.	Color	LED Electronic parameters					Lamp Base	Power	Dimension	Working Voltage	Remarks
		LED type	LED QTY.	Color	mcd	Angle					
LK-Z0H11-B13000-120R-A0	R	5050SMD	13	R	600	120	H11	2.88W		DC 12V/24V	H10/H11/9004/9005/9006 Lamp base available
LK-Z0H11-B13000-120Y-A0	Y		13	Y	600	120		2.88W		DC 12V/24V	
LK-Z0H11-B13000-120B-A0	A		13	A	400	120		2.88W		DC 12V/24V	
LK-Z0H11-B13000-120G-A0	G		13	G	2000	120		2.88W		DC 12V/24V	
LK-Z0H11-B13000-120W-A0	W		13	W	1500	120		2.88W		DC 12V/24V	
LK-Z0H11-B13000-12WW-A0	WW		13	WW	1500	120		2.88W		DC 12V/24V	
LK-Z0H11-B13000-12CW-A0	CW		13	CW	1500	120		2.88W		DC 12V/24V	
LK-Z0H11-B13000-120P-A0	P		13	P	1000	120		2.88W		DC 12V/24V	
LK-Z0H11-B13000-120V-A0	V		13	V	400	120		2.88W		DC 12V/24V	



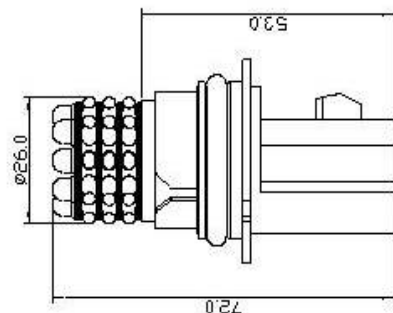
Part No.	Color	LED Electronic parameters					Lamp Base	Power	Dimension	Working Voltage	Remarks	
		LED type	LED QTY.	Color	mcd	Angle						
LK-Z9005-B18000-120R-A0	R	5050SMD	18	R	600	120	9005	4.32W		DC 12V/24V	H10/H11/9004/9005/9006 Lamp base available	
LK-Z9005-B18000-120Y-A0	Y		18	Y	600	120		4.32W				DC 12V/24V
LK-Z9005-B18000-120B-A0	A		18	A	400	120		4.32W				DC 12V/24V
LK-Z9005-B18000-120G-A0	G		18	G	2000	120		4.32W				DC 12V/24V
LK-Z9005-B18000-120W-A0	W		18	W	1500	120		4.32W				DC 12V/24V
LK-Z9005-B18000-12WW-A0	WW		18	WW	1500	120		4.32W				DC 12V/24V
LK-Z9005-B18000-12CW-A0	CW		18	CW	1500	120		4.32W				DC 12V/24V
LK-Z9005-B18000-120P-A0	P		18	P	1000	120		4.32W				DC 12V/24V
LK-Z9005-B18000-120V-A0	V		18	V	400	120		4.32W				DC 12V/24V



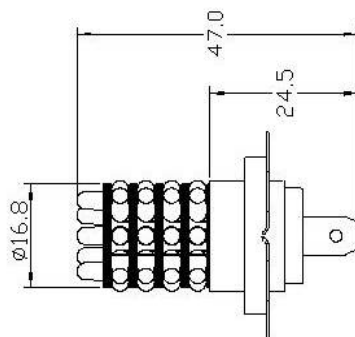
Part No.	Color	LED Electronic parameters					Lamp Base	Power	Dimension	Working Voltage	Remarks	
		LED type	LED QTY.	Color	mcd	Angle						
LK-Z0H11-R36000-120R-A0	R	Φ3	36	R	600	120	H11	4.32W		DC 12V/24V	H10/H11/9004/9005/9006 Lamp base available	
LK-Z0H11-R36000-120Y-A0	Y		36	Y	600	120		4.32W				DC 12V/24V
LK-Z0H11-R36000-120B-A0	A		36	A	400	120		4.32W				DC 12V/24V
LK-Z0H11-R36000-120G-A0	G		36	G	2000	120		4.32W				DC 12V/24V
LK-Z0H11-R36000-120W-A0	W		36	W	1500	120		4.32W				DC 12V/24V
LK-Z0H11-R36000-12WW-A0	WW		36	WW	1500	120		4.32W				DC 12V/24V
LK-Z0H11-R36000-12CW-A0	CW		36	CW	1500	120		4.32W				DC 12V/24V
LK-Z0H11-R36000-120P-A0	P		36	P	1000	120		4.32W				DC 12V/24V
LK-Z0H11-R36000-120V-A0	V		36	V	400	120		4.32W				DC 12V/24V



Part No.	Color	LED Electronic parameters					Lamp Base	Power	Dimension	Working Voltage	Remarks
		LED type	LED QTY.	Color	mcd	Angle					
LK-Z9004-R36000-120R-A0	R	Φ 3	36	R	600	120	9004	4.32W		DC 12V/24V	H10/H11/9004 /9005/9006 Lamp base available
LK-Z9004-R36000-120Y-A0	Y		36	Y	600	120		4.32W		DC 12V/24V	
LK-Z9004-R36000-120B-A0	A		36	A	400	120		4.32W		DC 12V/24V	
LK-Z9004-R36000-120G-A0	G		36	G	2000	120		4.32W		DC 12V/24V	
LK-Z9004-R36000-120W-A0	W		36	W	1500	120		4.32W		DC 12V/24V	
LK-Z9004-R36000-12WW-A0	WW		36	WW	1500	120		4.32W		DC 12V/24V	
LK-Z9004-R36000-12CW-A0	CW		36	CW	1500	120		4.32W		DC 12V/24V	
LK-Z9004-R36000-120P-A0	P		36	P	1000	120		4.32W		DC 12V/24V	
LK-Z9004-R36000-120V-A0	V		36	V	400	120		4.32W		DC 12V/24V	



Part No.	Color	LED Electronic parameters					Lamp Base	Power	Dimension	Working Voltage	Remarks
		LED type	LED QTY.	Color	mcd	Angle					
LK-Z00H7-R45000-120R-A0	R	Φ 3	45	R	600	120	H7	4.32W		DC 12V/24V	H4/H7 Lamp base available
LK-Z00H7-R45000-120Y-A0	Y		45	Y	600	120		4.32W		DC 12V/24V	
LK-Z00H7-R45000-120B-A0	A		45	A	400	120		4.32W		DC 12V/24V	
LK-Z00H7-R45000-120G-A0	G		45	G	2000	120		4.32W		DC 12V/24V	
LK-Z00H7-R45000-120W-A0	W		45	W	1500	120		4.32W		DC 12V/24V	
LK-Z00H7-R45000-12WW-A0	WW		45	WW	1500	120		4.32W		DC 12V/24V	
LK-Z00H7-R45000-12CW-A0	CW		45	CW	1500	120		4.32W		DC 12V/24V	
LK-Z00H7-R45000-120P-A0	P		45	P	1000	120		4.32W		DC 12V/24V	
LK-Z00H7-R45000-120V-A0	V		45	V	400	120		4.32W		DC 12V/24V	



Part No.	Color	LED Electronic parameters					Lamp Base	Power	Dimension	Working Voltage	Remarks
		LED type	LED QTY.	Color	mcd	Angle					
LK-Z00H4-D27T27-120R-A0	R	Φ 4. 8+Φ 3T	45	R	600	120	H4	4. 32W		DC 12V/24V	H4/H7 Lamp base available
LK-Z00H4-D27T27-120Y-A0	Y		45	Y	600	120		4. 32W		DC 12V/24V	
LK-Z00H4-D27T27-120B-A0	A		45	A	400	120		4. 32W		DC 12V/24V	
LK-Z00H4-D27T27-120G-A0	G		45	G	2000	120		4. 32W		DC 12V/24V	
LK-Z00H4-D27T27-120W-A0	W		45	W	1500	120		4. 32W		DC 12V/24V	
LK-Z00H4-D27T27-12WW-A0	WW		45	WW	1500	120		4. 32W		DC 12V/24V	
LK-Z00H4-D27T27-12CW-A0	CW		45	CW	1500	120		4. 32W		DC 12V/24V	
LK-Z00H4-D27T27-120P-A0	P		45	P	1000	120		4. 32W		DC 12V/24V	
LK-Z00H4-D27T27-120V-A0	V		45	V	400	120		4. 32W		DC 12V/24V	



Part No.	Color	LED Electronic parameters					Lamp Base	Power	Dimension	Working Voltage	Remarks
		LED type	LED QTY.	Color	mcd	Angle					
LK-Z9006-X01B05-120R-A0	R	1W+5050SMD	1+5	R	600	120	9006	4. 32W		DC 12V/24V	H10/H11/9004 /9005/9006 Lamp base available
LK-Z9006-X01B05-120Y-A0	Y		1+5	Y	600	120		4. 32W		DC 12V/24V	
LK-Z9006-X01B05-120B-A0	A		1+5	A	400	120		4. 32W		DC 12V/24V	
LK-Z9006-X01B05-120G-A0	G		1+5	G	2000	120		4. 32W		DC 12V/24V	
LK-Z9006-X01B05-120W-A0	W		1+5	W	1500	120		4. 32W		DC 12V/24V	
LK-Z9006-X01B05-12WW-A0	WW		1+5	WW	1500	120		4. 32W		DC 12V/24V	
LK-Z9006-X01B05-12CW-A0	CW		1+5	CW	1500	120		4. 32W		DC 12V/24V	
LK-Z9006-X01B05-120P-A0	P		1+5	P	1000	120		4. 32W		DC 12V/24V	
LK-Z9006-X01B05-120V-A0	V		1+5	V	400	120		4. 32W		DC 12V/24V	



Part No.	Color	LED Electronic parameters					Lamp Base	Power	Dimension	Working Voltage	Remarks
		LED type	LED QTY.	Color	mcd	Angle					
LK-Z0H11-R36000-120R-A0	R	Φ3	36	R	600	120	H11	3.84W		DC 12V/24V	H10/H11/9004 /9005/9006 Lamp base available
LK-Z0H11-R36000-120Y-A0	Y		36	Y	600	120		3.84W		DC 12V/24V	
LK-Z0H11-R36000-120B-A0	A		36	A	400	120		3.84W		DC 12V/24V	
LK-Z0H11-R36000-120G-A0	G		36	G	2000	120		3.84W		DC 12V/24V	
LK-Z0H11-R36000-120W-A0	W		36	W	1500	120		3.84W		DC 12V/24V	
LK-Z0H11-R36000-12WW-A0	WW		36	WW	1500	120		3.84W		DC 12V/24V	
LK-Z0H11-R36000-12CW-A0	CW		36	CW	1500	120		3.84W		DC 12V/24V	
LK-Z0H11-R36000-120P-A0	P		36	P	1000	120		3.84W		DC 12V/24V	
LK-Z0H11-R36000-120V-A0	V		36	V	400	120		3.84W		DC 12V/24V	



Part No.	Color	LED Electronic parameters					Lamp Base	Power	Dimension	Working Voltage	Remarks
		LED type	LED QTY.	Color	mcd	Angle					
LK-Z00H4-B27000-120R-A0	R	5050SMD	27	R	600	120	H4	6.48W		DC 12V/24V	H4/H7 Lamp base available
LK-Z00H4-B27000-120Y-A0	Y		27	Y	600	120		6.48W		DC 12V/24V	
LK-Z00H4-B27000-120B-A0	A		27	A	400	120		6.48W		DC 12V/24V	
LK-Z00H4-B27000-120G-A0	G		27	G	2000	120		6.48W		DC 12V/24V	
LK-Z00H4-B27000-120W-A0	W		27	W	1500	120		6.48W		DC 12V/24V	
LK-Z00H4-B27000-12WW-A0	WW		27	WW	1500	120		6.48W		DC 12V/24V	
LK-Z00H4-B27000-12CW-A0	CW		27	CW	1500	120		6.48W		DC 12V/24V	
LK-Z00H4-B27000-120P-A0	P		27	P	1000	120		6.48W		DC 12V/24V	
LK-Z00H4-B27000-120V-A0	V		27	V	400	120		6.48W		DC 12V/24V	

