



MANUAL

LED Mining head lamp

KL1.4LM (A)

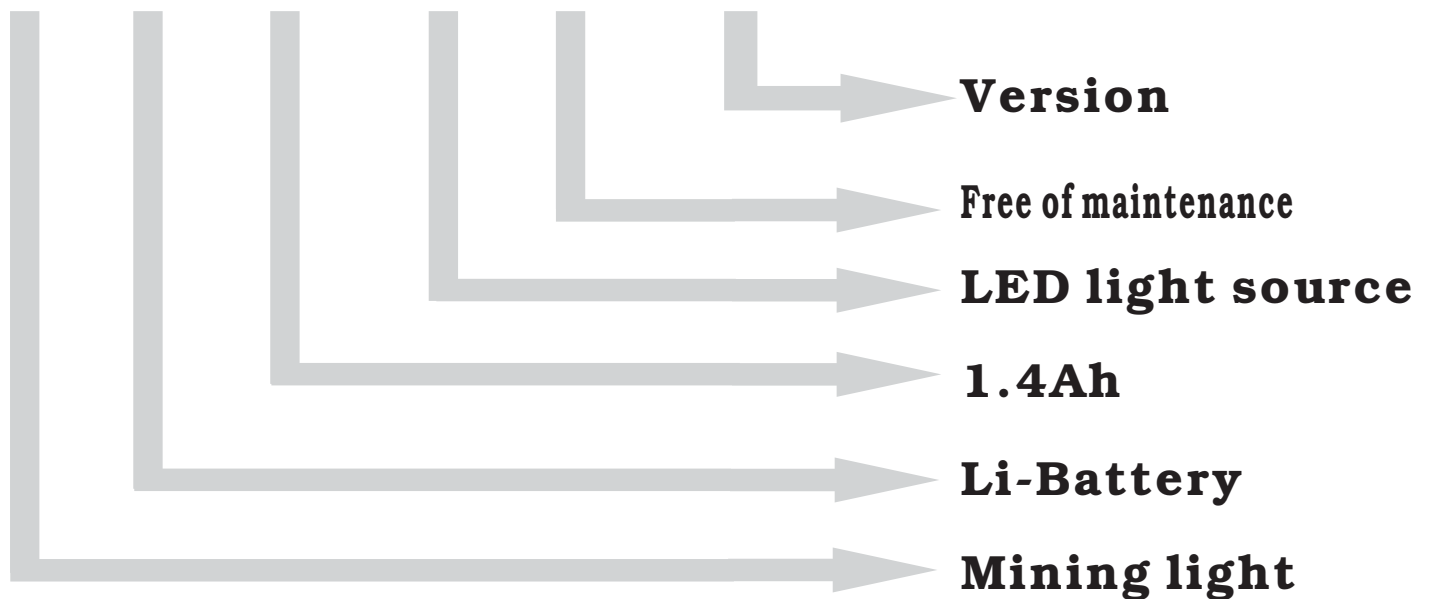
<Read before use>

1 Summary

KL1.4LM<A> mining head lamp use mature Li-polymer battery and Li-battery power management system as the powersupply, and use LED as the light source. Advanced technologies, safe and energy-saving.

1.1 Model No and signification

K L 1.4 L M (A)



1.2 Highlights

1.2.1 Safety

Working temperature of this light is 50 Celsius only. And the battery system use mature Li-battery management system, which make the working current is 0.12A and has functions of over-heat protection and over-load protection. There is also a backup battery in case of accidental situations.

1.2.2 Brightness

Use 1W high power LED as the light source, and dedicated optical engineering design. The brightness is no less than 1200Lx in a 1 meter under normal situations.

1.2.3 Lightweight

By using the most high energy density Li-polymer battery, the light is no less than 100g, which would reduce the burden of worker, therefore reduce the working intensity and improve working efficiency.

1.2.4 Energy saving and Green

Comparing with traditional mining light, LED light source give tremendous higher transform rate of Electronic energy to light, which would save up to 90% energy. No pollution, no leaking, no heavy metal, no rust

1.3 Applications

Mining work underground, night work, tunnel work etc

1.4 Working Environment

Working temperature: -10~+40;
Average humidity <95%(25)
Without violate shocking and water

1.5 Standards & Certificate

GB 7957-2003 矿灯安全性能通用要求>
MT927-2004 <KL型矿灯>
ROHS and CE

2 Structure Profile

Power supply, light and controller are sealed in a robust case

3 Products Features

No.	Features	Value	Unit	Remark	
1	Working Voltage	3.7	V		
2	Rate capacity	1.4	Ah		
3	Working time	>11	H		
4	illuminance	Start Time	>1400	Lx	In1 Meter
		11hours Later	>1200		
5	LED	Main Light	0.12	A	
		auxiliary light	0.11	A	
6	Battery lifespan	>500	Cycles		
7	Battery reserve time	0.5	Year		
8	Size	55*55*36	mm		
9	Weight	<90	g		

4 Using

4.1 Check

Before use, check if 1.the package is intact, 2. there are damages,3. missing of components,4.the light and button is working.

4.2 Charging

Charge before using

- 1.Turn off the lights.
- 2.connect the dedicated VK-KC7 charger to the power socket and the light.The indicator of the light will display its status.Red,is starting.Amber is charging.Green is loaded.Red-Amber-Green, is the normal sequence during charging.

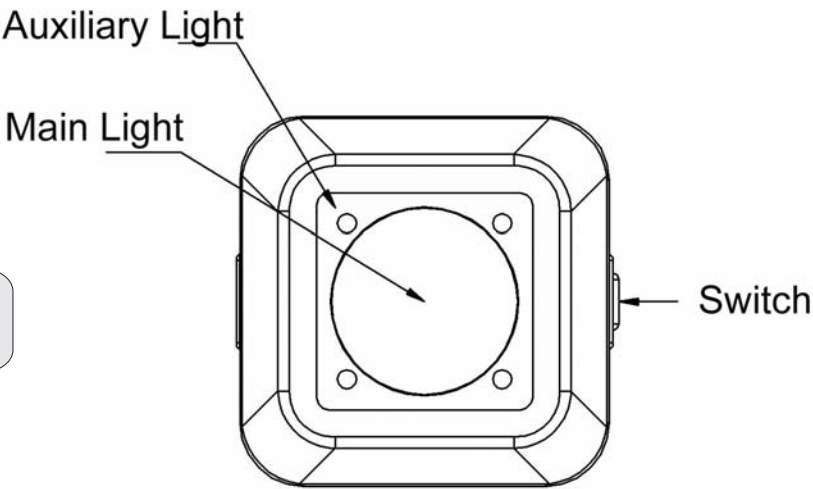
VK-KC7 Data

Input Voltage:AC 110V~260V;

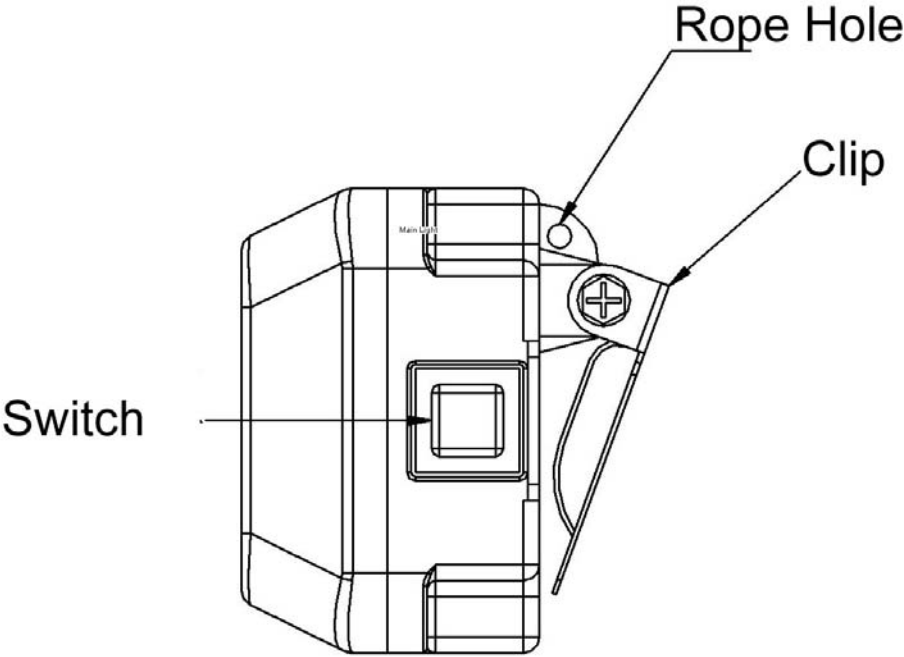
Input frequency:50HZ;

4 Draw

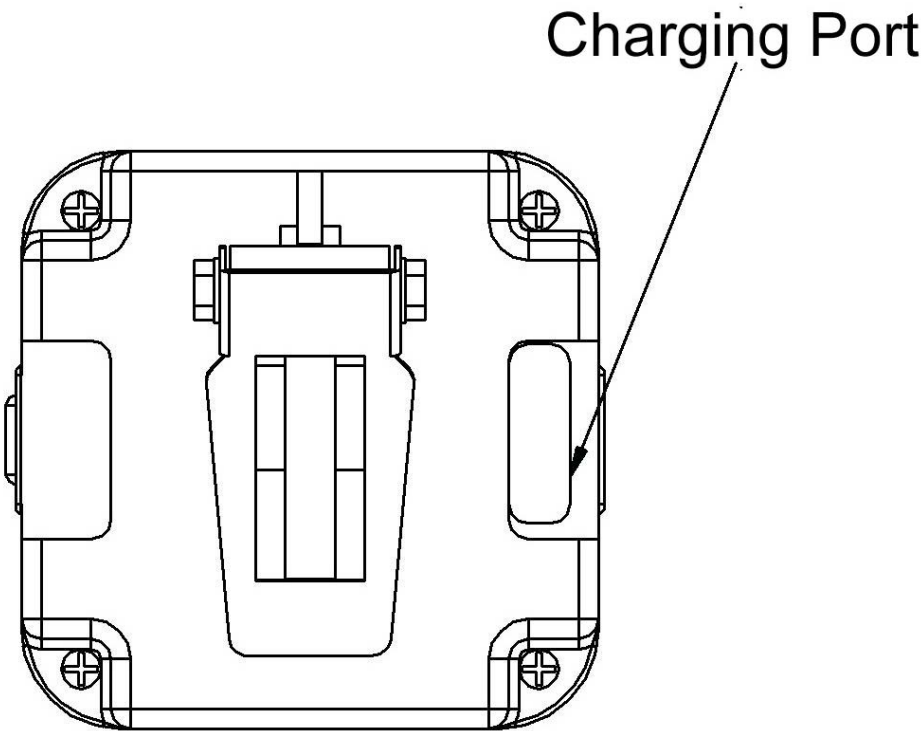
Draw 1



Draw 2



Draw 3



6 Trouble shooting

We may get troubles and malfunctions in use.
Usual situations and its method are as below:

Troubles	Reasons	Methods
Not bright Lasting little time	1.Isn't Charged enough 2.Over Span Time 3.Rate capacity is losing	1.Charge enough 2.Recharge timely after span time 3.Change the light
Main light or auxiliary light faint	1.Switch damage 2.Control circuit damage 3.Battery damage	Return to amend

6 Attentions

6.1 No disassembly during work

We provide one year guarantee and free maintainance if caused by quality problems.
Damages caused by users and other reasons out of our responsibilites and control, we provide charged maintainance

6.2 Long time Storage operation

After charged, the light can be stored for 5 months.For long time storage, the light has to be recharged every 5 months.

6.3 Recharge Timely

Everytime after used ,especially for long time, the battery should be recharged timely.Or it may be damaged because of over-discharging.And when the over-discharged battery is being recharged, the battery will fever.Under this situation,NO use before recharging finished.

6.4 Maintainance Timely

When the light get troubles or malfunctions, maintain it timely. In case over-discharging cause the battery pernament damages.

6.5 No violence and shock, Away from Fire and burn

Avoid violence and shock and protect the battery.
Fire and burn is not allowed and dangerous

6.6 Recycle

No litter the light after scrapped.Discharge the battery totally and Recyle by good methods.

6.7 Use dedicated Charger

Use our dedicated charger **VK-KC7**

7 Transportation & Storage

7.1 Transportation Attentions

Avoid violate shock and strike.
Avoid Upside down
Avoid rain and sunshine
Avoid throw and stress

7.1 Storage Environment

Valid storage span is 6 months.
Should be stored under temperature<0-40Celsius>, Dry, Clean, ventilative, No corrosive mediums.

8 Packing

No	Name	Quantity
1	KL1.4LM<A>	1pc
2	Manual	1pc
3	Licence	1pc
4	Charger	1pc

9 Post-sale Services

9.1 Guarantee and Maintenance

This product is guaranteed for one year.
During the guarantee time, the users is free to maintain and change against maintenance card if the damage and troubles are caused by our design and manufacturing.
To reduce users's cost, we provide damaged and invalid components to replace with material fee when the guarantee time expire.
If damages caused by mistakes of users, we only provide maitenance with charges.

9.2 Disclaims

The following situations are not guaranteed

- 1.The guarantee time expire.
- 2.damages caused by users' mistakes Or dissembled by users.
- 3.Charger and accessories.

Guarantee Card

scissor and sent to us

Product Code

Purchase Date

Contact

Post Code

Telephone

Detailed Address
